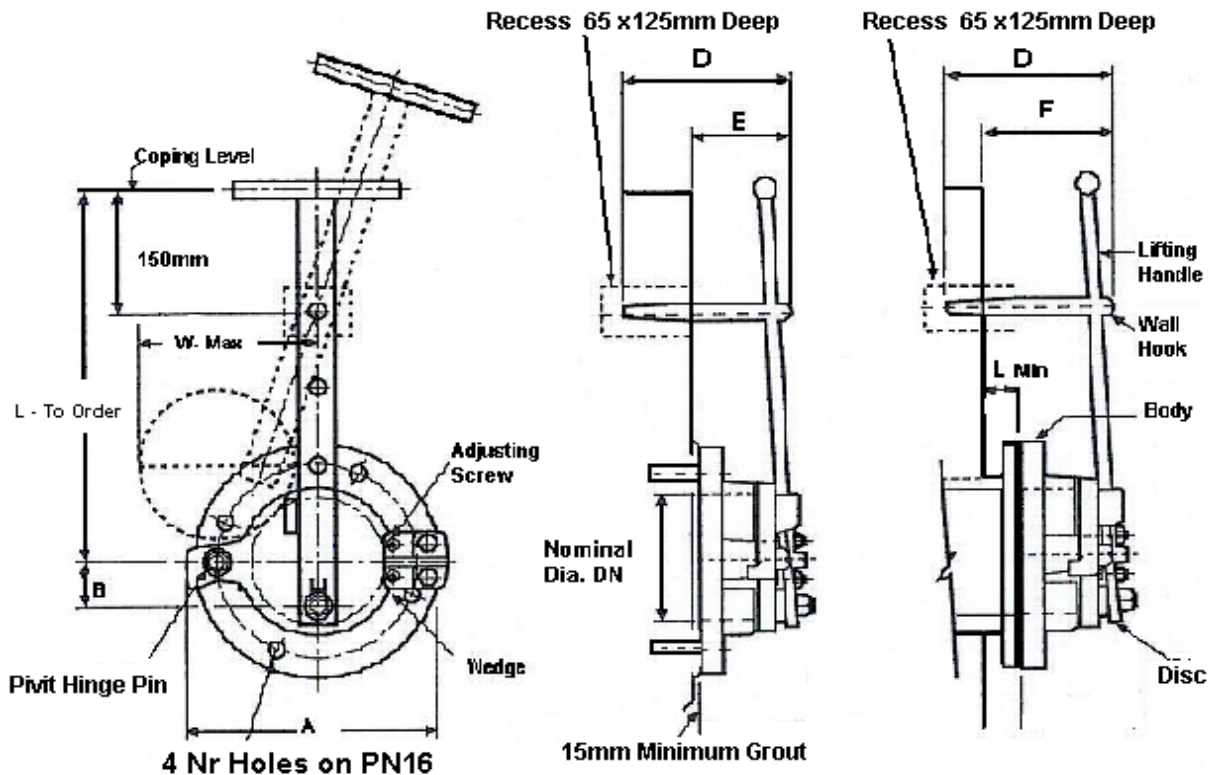
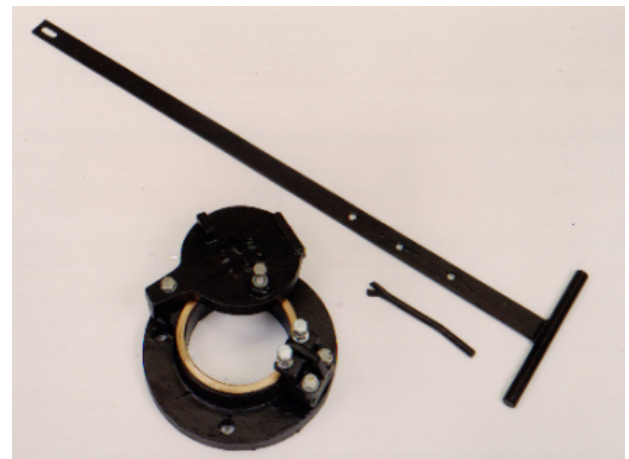


Disc Flushing Valve

Sizes 80-300mm



Description	Material
Body	Cast Iron GG25
Disc	Cast Iron GG25
Seats	Gunmetal BS 1400 LG2
Wedge	Cast Iron GG25
Adjust Screw	Bronze
Pivot Pin	Stainless Steel 304
Lifting Handles	Coated mild steel
Bolts	Electro zinc galvanised
Coating	Bitumen coated



Castings Services Limited
 Head Office & Valve Division
 Langley Road South, Salford
 Manchester, England. M6 6TZ

Tel : 00 44 (0) 161 745 9095
 Fax: 00 44 (0) 161 745 8996

Pipeline Sales Office

Unit 7, Oaktree Business Park
 Cadley Hill Road, Swadlincote
 Derbyshire. DE11 9DJ

Tel : 00 44 (0) 1283 554720
 Fax: 00 44 (0) 1283 554721