



# FLANGED ACCESS BEND

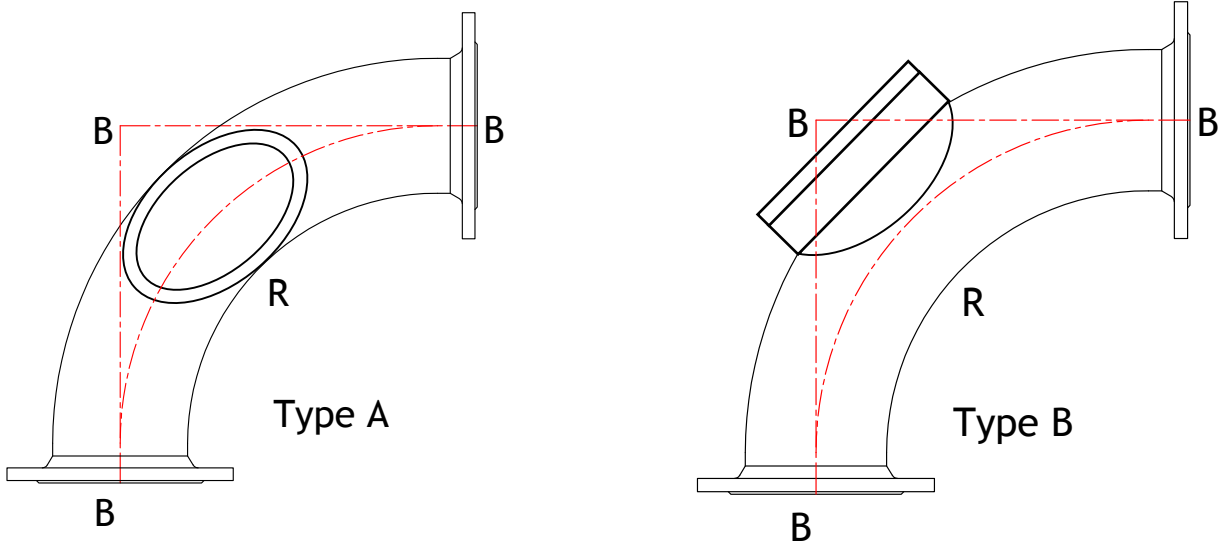
F6.1

## LONG RADIUS 90 DEGREE

CLASS K12

STANDARD

BS EN 545/598 ISO 2531



### OPTIONS

- EN598
- EN545

Please remember to order gaskets

Technical drawings for illustrative purposes only. Actual product may be subject to minor design changes without notice.

Diameter	Leg Length 'B'	Radius 'R'	Weight	CSG Reference
(mm)	(mm)	(mm)	(Kg)	
80	380	330	17	F080B90LRA
100	400	340	23	F100B90LRA
150	450	385	38	F150B90LRA
200	500	430	56	F200B90LRA
250	550	475	88	F250B90LRA
300	600	515	110	F300B90LRA

Please add suffix 'A' for type A and suffix 'B' for type B



**Head Office**

Langley Road South,  
Salford,  
Manchester M6 6TZ

T: +44 (0) 161 745 9095

F: +44 (0) 161 745 8996