

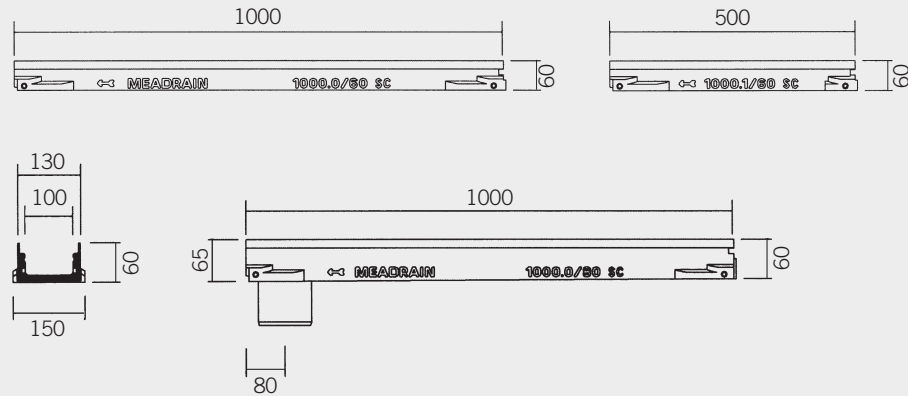
MEADRAIN® Solution

System LZ 1000/60 SC

System LZ 1000/80 SC



Technical Data



System LZ 1000/60 SC

Material properties

Channel body

- ◆ Polymer concrete based on polyester resin
- ◆ Compression resistance: > 90 N/mm²
- ◆ Flexural strength: > 22 N/mm²
- ◆ Water absorption: less than 0,05%
- ◆ Density: 2.1 - 2.3 kg/dm³
- ◆ Modulus of elasticity: 25 - 35 kN/mm²
- ◆ Water penetration level: 0 mm
- ◆ Material structure: capillary free

Edge protection

- ◆ Galvanized steel : DX 51 D 275 NA to EN 10142

Grating

- ◆ Galvanized steel : DX 51 D 275 NA
- ◆ Ductile iron
- ◆ Stainless steel: AISI 304 (1.4301)

Description and sizes

- ◆ Drainage channel made of polymer concrete with sealable channel groove
- ◆ Integrated galvanized steel edge protection
- ◆ The /A-marked channel elements include a HD-PE outlet connector Ø 110
- ◆ Interlocking joint system for an exact fitting of the channels
- ◆ Suitable for installation of MEADRAIN Top 1000 grating covers with CLIPFIX boltless locking system

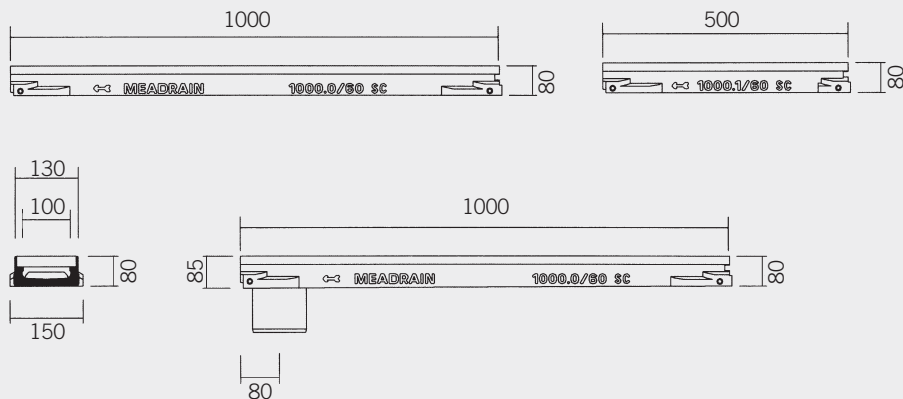
- ◆ Fall type: Without fall
- ◆ Loading classes: A 15 – C 250 to EN 1433
- ◆ Total height: 60 mm (65 mm)
- ◆ Total width: 130 mm (150 mm)
- ◆ Length: 500 mm and 1000 mm

MEADRAIN® Solution

System LZ 1000/60 SC

System LZ 1000/80 SC

Technical Data



System LZ 1000/80 SC

Material properties

Channel body

- ◆ Polymer concrete based on polyester resin
- ◆ Compression resistance: > 90 N/mm²
- ◆ Flexural strength: > 22 N/mm²
- ◆ Water absorption: less than 0,05%
- ◆ Density: 2.1 - 2.3 kg/dm³
- ◆ Modulus of elasticity: 25 - 35 kN/mm²
- ◆ Water penetration level: 0 mm
- ◆ Material structure: capillary free

Edge protection

- ◆ Galvanized steel : DX 51 D 275 NA to EN 10142

Grating

- ◆ Galvanized steel : DX 51 D 275 NA
- ◆ Ductile iron
- ◆ Stainless steel: AISI 304 (1.4301)

Description and sizes

- ◆ Drainage channel made of polymer concrete with sealable channel groove
- ◆ Integrated galvanized steel edge protection
- ◆ The /A-marked channel elements include a HD-PE outlet connector Ø 110
- ◆ Interlocking joint system for an exact fitting of the channels
- ◆ Suitable for installation of MEADRAIN Top 1000 grating covers with CLIPFIX boltless locking system or standard locking mechanisms

- ◆ Fall type: Without fall
- ◆ Loading classes: A 15 – C 250 to EN 1433
- ◆ Total height: 80 mm (85 mm)
- ◆ Total width: 130 mm (150 mm)
- ◆ Length: 500 mm and 1000 mm

Channel units overview

Channel without fall

Product description	Length [mm]	Total height [mm]	Weight [kg]	Cross sectional area** [cm ²]	EDP Number 010...
LZ 1000.0/60 SC	1000	60	8,3	24,0	155561
LZ 1000.0 A/60 SC	1000	65	8,5	24,0	155565
LZ 1000.1/60 SC	500	60	4,2	24,0	155563

A) Channel with HD-PE outlet connector Ø 110

** Cross sectional area from the seating edge to the invert of the channel

Product description	Length [mm]	Total height [mm]	Weight [kg]	Cross sectional area** [cm ²]	EDP Number 010...
LZ 1000.0/80 SC	1000	80	8,6	44,0	155571
LZ 1000.0 A/80 SC	1000	85	8,8	44,0	155575
LZ 1000.1/80 SC	500	80	4,4	44,0	155573

A) Channel with HD-PE outlet connector Ø 110

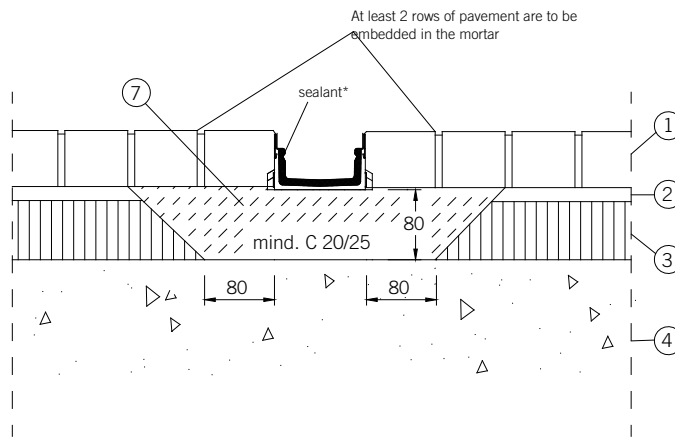
** Cross sectional area from the seating edge to the invert of the channel

End caps

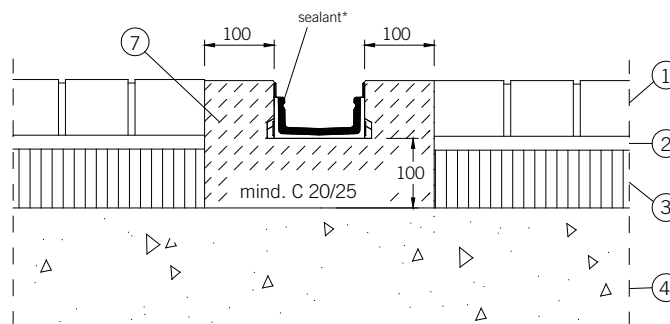
Product description		Weight [kg]	EDP Number 010...
LZ 1000.S SC	End cap for channel start	0,5	155577
LZ 1000.F SC	End cap for channel end	0,5	155579
LZ 1000.E SC ¹⁾	End cap for channel end with outlet connector HD-PE Ø 50	0,5	155581

¹⁾ Only for LZ1000/80 SC

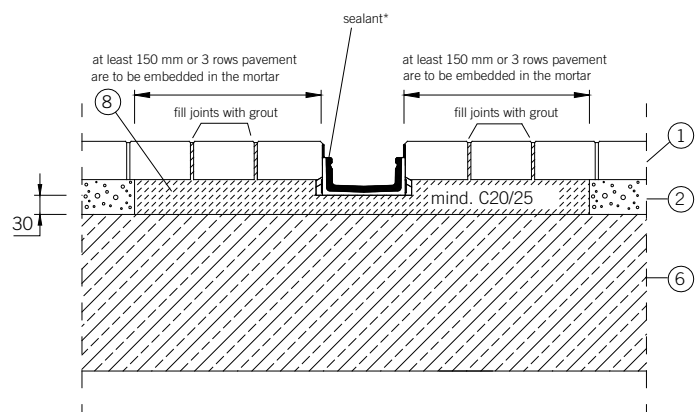
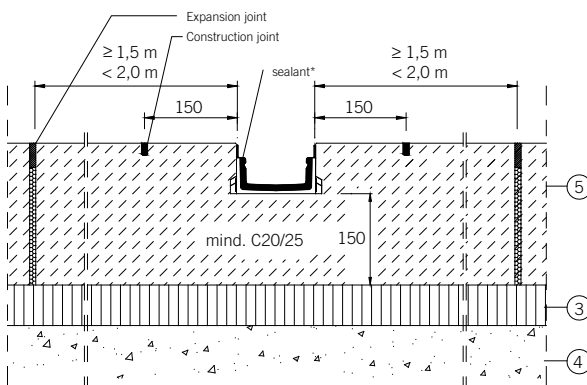
Solution Loading class A 15



Solution Loading class B 125



Solution Loading class C 250



- ① Block paving
- ② Sand layer
- ③ Sub-base
- ④ Grown soil
- ⑤ Concrete
- ⑥ Reinforced concrete layer
- ⑦ Concrete haunch
- ⑧ Mortar (Concrete quality 20/25 to EN 206-1)

* if required



For enquiries in the UK and Ireland:

MEA UK Limited

Rectors Lane
Pentre
Deeside
Flintshire
CH5 2DH

Telephone: 0 1244 53 44 55

Fax: 0 1244 53 44 77

uk.technical@mea.de

www.mea-group.com

For all other enquiries:

MEA Polymer Beton B.V.

Ambachtsweg 18
7021 BT Zelhem
P.O. Box 90
7020 AB Zelhem
The Netherlands

tel: (+31) 314 62 77 62

fax: (+31) 314 62 77 77

sales.info@nl.mea.de

www.mea-group.com