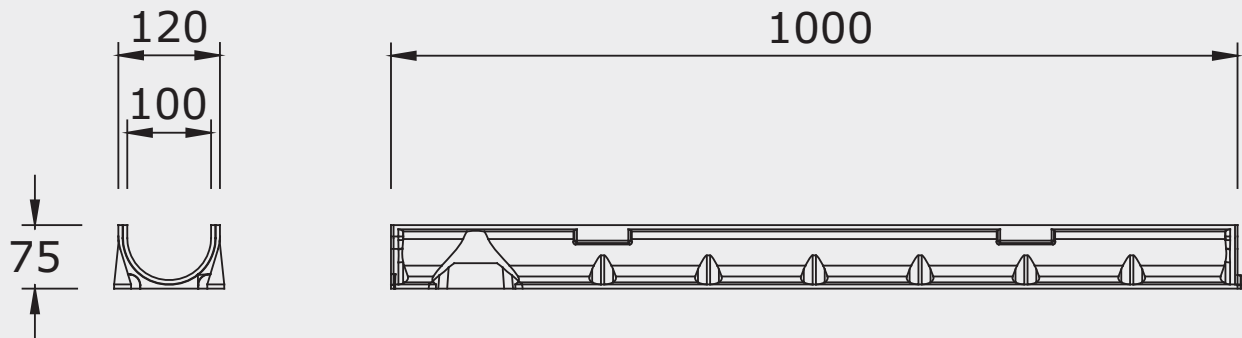


# MEALINE S

## Technical Data



## Material properties

### Channel body

- ◆ Polymer concrete based on polyester resin
- ◆ Compression resistance:  $\geq 90 \text{ N/mm}^2$
- ◆ Flexural strength:  $\geq 22 \text{ N/mm}^2$
- ◆ Water absorption: less than 0,05%
- ◆ Density:  $2.1\text{-}2.3 \text{ kg/dm}^3$
- ◆ Modulus of elasticity:  $25\text{-}35 \text{ kN/mm}^2$
- ◆ Water penetration level: 0 mm
- ◆ Material structure: capillary free

### Edge protection

- ◆ Galvanized steel

## Description and sizes

- ◆ Drainage channel made of polymer concrete with sealable channel groove
- ◆ With connection facility for vertical discharge  $\varnothing 110$
- ◆ Tongue and groove jointing system for simple and quick installation
- ◆ Grating cover: Selflocking galvanized grating for domestic traffic
  
- ◆ Fall type: no fall
  
- ◆ Loading classes: withstands passenger cars
- ◆ Total height: 78 mm (incl. grating)
- ◆ Total width: 120 mm
- ◆ Length: 1000 mm

# Channel units overview

## Channel

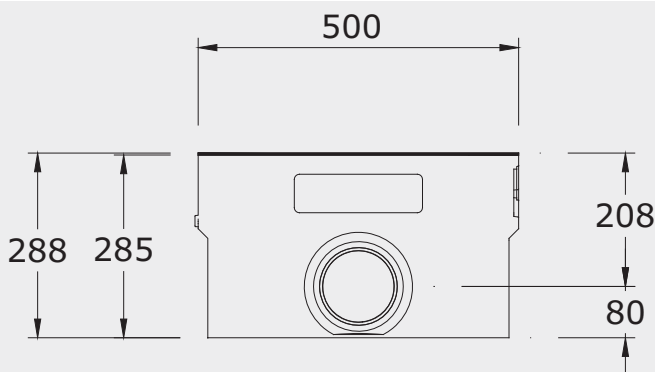
Channel element with a connection facility for a vertical Ø 110 outlet connector or siltbox

Product description	Length [mm]	Total width [mm]	Total height incl. grating [mm]	Weight [kg]	Cross sectional area [cm <sup>2</sup> ]	EDP-Number 010...
MEALINE S	1000	120	78	7,1	48	150763

## Accessories

Product description	Description	Weight [kg]	EDP-Number 010...
MEALINE S EK	Silt box made of polymer concrete incl. slotted galvanized SNAP grating and sediment bucket	13,3	150779
MEALINE S	Outlet connector with in-line dirt trap, odour seal and connector Ø 110	0,2	150730
MEALINE S	end cap for channel start or end	0,06	150777

## Silt box made of polymer concrete MEALINE S.EK



## Description and size

- ◆ Silt box made of polymer concrete
- ◆ Sediment bucket
- ◆ Cover slotted galvanized SNAP grating for domestic traffic
- ◆ Pre-formed knockouts for breaking out, making the perfect connection of the channel types MEALINE S
- ◆ Connection facility for outlet connector Ø 110

- ◆ EDP-Number: 010150779
- ◆ Total height: 288 mm
- ◆ Total width: 120 mm
- ◆ Weight: 13,3 kg



**For enquiries in the UK and Ireland:**

**MEA UK Limited**

Rectors Lane  
Pentre  
Deeside  
Flintshire  
CH5 2DH

Telephone: 0 1244 53 44 55

Fax: 0 1244 53 44 77

uk.technical@mea.de

www.mea-group.com

**For all other enquiries:**

**MEA Polymer Beton B.V.**

Ambachtsweg 18  
7021 BT Zelhem  
P.O. Box 90  
7020 AB Zelhem  
The Netherlands

Tel: (+31) 314 62 77 62

Fax: (+31) 314 62 77 77

sales.info@nl.mea.de

www.mea-group.com