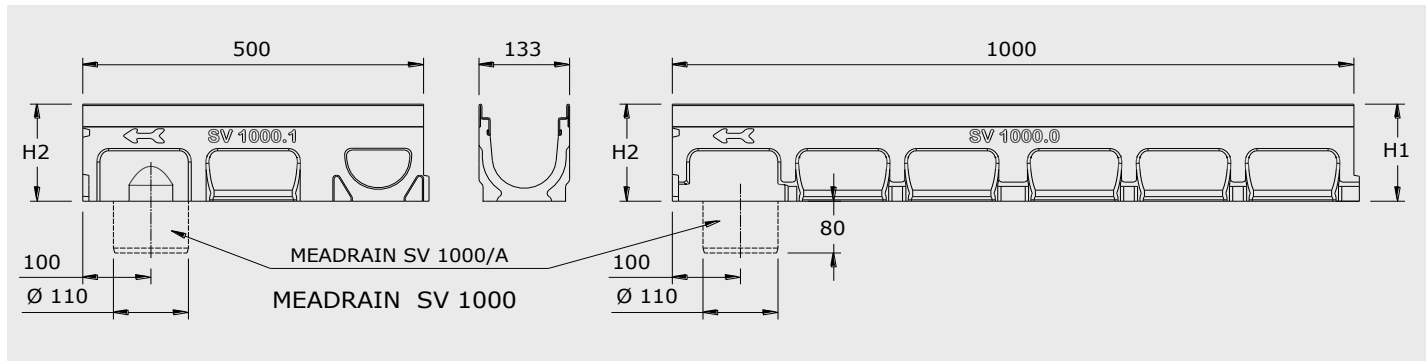


SV 1000 polymer concrete channel

MEADRAIN Supreme SV 1000



Material properties

Channel units and construction units

- o Polymer concrete: based on polyester resin, with natural minerals
- o Compression resistance: $\geq 90 \text{ N/mm}^2$
- o Flexural tensile strength: $\geq 22 \text{ N/mm}^2$
- o Modules of elasticity: $25000 - 35000 \text{ N/mm}^2$
- o Density: $2,1 - 2,3 \text{ kg/dm}^3$
- o Linear expansion coefficient: approx. $1,45 \times 10^{-5} \text{ 1/K}$
- o Heat resistance: 100°C permanent exposure, short-term exposure (5 min.) to 200°C
- o Frost resistance: $- 50^\circ\text{C}$
- o Water penetration level: 0 mm
- o Water absorption: $< 0,05\%$
- o Material structure: capillary free

Edge protection

- o strip galvanized steel
- o edge thickness 4mm

Channel covers

- o ductile iron
- o galvanized steel
- o stainless steel
- o plastic

Remark

* From loading class D400 not suitable for cross drainage of high speed roads and motorways.

SV 1000 polymer concrete channel

Edge protection 4mm galvanized steel, sealable channel groove to EN 1433

Clear width 100mm, total width 133mm. Suitable for installation of MEADRAIN Top SV 1000 CLIPFIX and

MEADRAIN Top 1000 CLIPFIX channel covers. Channel units without fall or with stepped fall. Loading classes A15 - E600* to EN 1433.

Loading classes as indicated when built-in in accordance to MEA installation instructions.

Channel units without fall

material group	product description	length [mm]	total height [mm]	EDP-No. 010...	EAN-code 4001990...	kg/unit	units/pallet
MD	MEADRAIN SV 1000.0 ¹⁾	1000	150	712600	272220	14,50	36
MD	MEADRAIN SV 1000.0/A ²⁾	1000	150	712602	272527	14,50	30
MD	MEADRAIN SV 1000.1 ^{1) 3)}	500	150	712604	272534	7,50	40
MD	MEADRAIN SV 1005.0 ¹⁾	1000	175	712618	272596	16,00	36
MD	MEADRAIN SV 1005.0/A ²⁾	1000	175	712620	272688	16,00	30
MD	MEADRAIN SV 1005.1 ^{1) 3)}	500	175	712622	272695	8,50	40
MD	MEADRAIN SV 1010.0 ¹⁾	1000	200	712636	272763	17,50	30
MD	MEADRAIN SV 1010.0/A ²⁾	1000	200	712638	262770	17,50	25
MD	MEADRAIN SV 1010.1 ^{1) 3)}	500	200	712640	272787	9,00	40
MD	MEADRAIN SV 1015.0 ¹⁾	1000	225	712642	272794	19,00	24
MD	MEADRAIN SV 1015.0/A ²⁾	1000	225	712644	272800	19,00	20
MD	MEADRAIN SV 1015.1 ^{1) 3)}	500	225	712646	272817	9,50	40
MD	MEADRAIN SV 1020.0 ¹⁾	1000	250	712648	272824	20,50	24
MD	MEADRAIN SV 1020.0/A ²⁾	1000	250	712650	272831	20,50	20
MD	MEADRAIN SV 1020.1 ^{1) 3)}	500	250	712652	272848	10,40	40
MD	MEADRAIN SV 1030.0 ¹⁾	1000	305	712654	272855	24,50	24
MD	MEADRAIN SV 1030.0/A ²⁾	1000	305	712656	272862	24,50	20

1) With connection facility for vertical discharge outlet connector Ø 110mm or silt box/gully

2) With integrated HD-PE outlet connector Ø 110mm and NBR-O sealing ring.

3) Connection facility for corner and cross junction and connection facility for vertical outlet connector Ø 110mm.

Channel units as connecting elements for realization of stepped fall

material group	product description	material	EDP No. 010...	EAN-code 4001990...	kg/unit	units/pallet
MD	MEADRAIN SV 1000 UE connecting element for height between 0.0 and 10.0 10.0 and 20.0 20.0 and 30.0	polymer concrete	712680	280935	0,13	20

Remark

* From loading class D400 not suitable for cross drainage of high speed roads and motorways.

SV 1000 polymer concrete channel

Edge protection 4mm galvanized steel, sealable channel groove to EN 1433

Clear width 100mm, total width 133mm. Suitable for installation of **MEADRAIN Top SV 1000** and

MEADRAIN Top 1000 CLIPFIX channel covers. Channel units with linear fall (fall 0,5%). Loading classes A15 - E600* to EN 1433.

Loading classes as indicated when built-in in accordance to MEA installation instructions.

Channel units with linear fall (fall 0,5%)

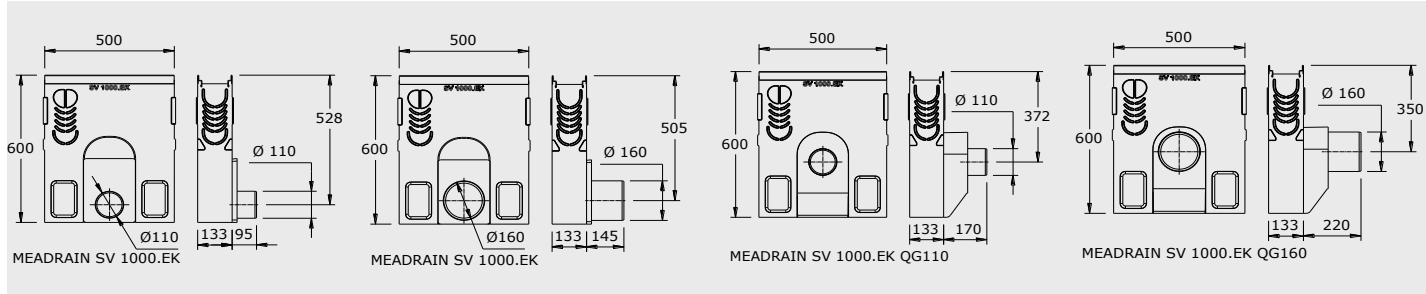
material group	product description	length [mm]	total height [mm]	EDP-No. 010...	EAN-code 4001990...	kg/unit	units/pallet
MD	MEADRAIN SV 1001	1000	150-155	712606	272237	14,50	36
MD	MEADRAIN SV 1002	1000	155-160	712608	272541	14,50	36
MD	MEADRAIN SV 1003	1000	160-165	712610	272558	15,00	36
MD	MEADRAIN SV 1004	1000	165-170	712612	272565	15,00	36
MD	MEADRAIN SV 1005 ¹⁾	1000	170-175	712614	272572	15,50	36
MD	MEADRAIN SV 1005/A ²⁾	1000	170-175	712616	272589	15,50	30
MD	MEADRAIN SV 1006	1000	175-180	712624	272701	16,00	36
MD	MEADRAIN SV 1007	1000	180-185	712626	272718	16,50	36
MD	MEADRAIN SV 1008	1000	185-190	712628	272725	16,50	36
MD	MEADRAIN SV 1009	1000	190-195	712630	272732	17,00	36
MD	MEADRAIN SV 1010 ¹⁾	1000	195-200	712632	272749	17,00	30
MD	MEADRAIN SV 1010/A ²⁾	1000	195-200	712634	272756	17,00	25

1) With connection facility for vertical discharge outlet connector Ø 110mm or silt box/gully

2) With integrated HD-PE outlet connector Ø 110mm and NBR-O sealing ring.

SV 1000 accessories

MEADRAIN SV 1000 silt boxes



Silt boxes of polymer concrete

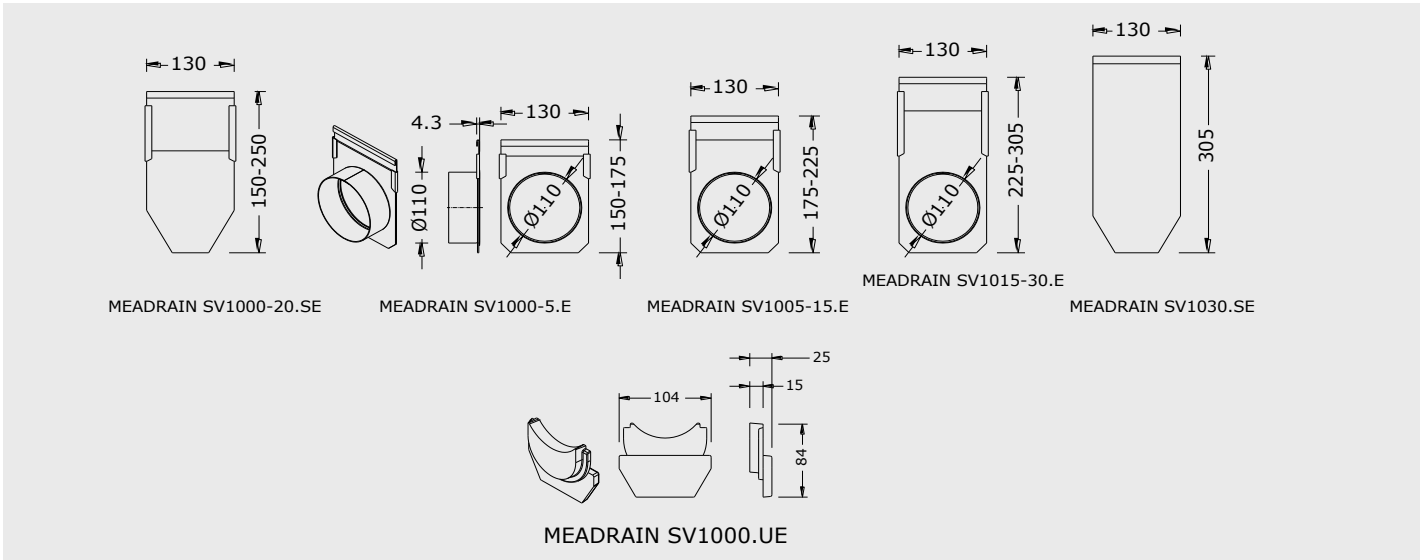
material group	product description	length [mm]	total height [mm]	EDP-No. 010...	EAN-code 4001990...	kg/unit	units/pallet
MD	MEADRAIN SV 1000.EK 110 for pipe connector Ø 110mm	500	600	712658	272879	35,00	6
MD	MEADRAIN SV 1000.EK 160 for pipe connector Ø 160mm	500	600	712660	272886	35,00	6
MD	MEADRAIN SV 1000.EK QG 110 integrated roadable foul air trap and side connection Ø 110mm	500	600	712662	272893	36,50	6
MD	MEADRAIN SV 1000.EK QG 160 integrated roadable foul air trap and side connection Ø 160mm	500	600	712664	272909	37,00	6

Remark

* From loading class D400 not suitable for cross drainage of high speed roads and motorways.

SV 1000 accessories

MEADRAIN Supreme SV 1000 end caps



End caps of galvanized steel

material group	product description	material	EDP No. 010...	EAN-code 4001990...	kg/unit	units/pallet
MD	MEADRAIN SV 1000-20.SE for channel start/end adjustable height	galv. steel	712666	272916	0,40	10
MD	MEADRAIN SV 1030.SE for channel start/end, fixed height	galv. steel	712668	272923	0,50	10
MD	MEADRAIN SV 1000-5.E for channel end adjustable height with connection Ø 110mm	galv. steel	712670	272930	0,30	10
MD	MEADRAIN SV 1005-15.E for channel end adjustable height with connection Ø 110mm	galv. steel	712676	280942	0,40	10
MD	MEADRAIN SV 1015-30.E for channel end adjustable height with connection Ø 110mm	galv. steel	712678	280959	0,50	10

MEA Water Management GmbH
Sudetenstraße 1
86551 Aichach
Tel.: +49 (0) 82 51. 91 0
Fax: +49 (0) 82 51. 91 13 00
E-Mail: info.drainage@mea.de
www.mea-group.com