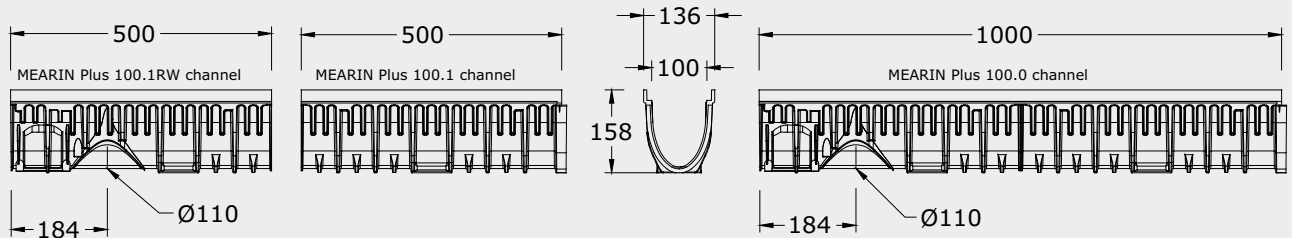


MEARIN Plus 100 and Expert 100

Technical data sheet



Material properties

Channel body and accessories

- ◆ SMC (sheet moulded compound)
Glassfibre reinforced polyester, mineral fillers, additives
- ◆ Tensile strength 65 N/mm² (ISO527)
- ◆ Flexural tensile strength 120 N/mm² (ISO 14125)
- ◆ Modulus of elasticity 10.000 N/mm² (ISO 14125)
- ◆ Linear expansion coefficient 1.5 - 2.0 x 10⁻⁵ 1/K
- ◆ Heat resistance 100°C permanent exposure, short-term exposure to 200°C
- ◆ Frost resistance -35°C
- ◆ Water absorption < 0.1% (ISO R178)
- ◆ Material structure capillary free

Edge protection

MEARIN Plus

- ◆ Glassfibre reinforced polyester

MEARIN Expert

- ◆ Galvanized steel

Channel covers

- ◆ Galvanized steel
- ◆ Ductile iron

Description and sizes

- ◆ Drainage channels made of glass-fibre reinforced polyester with integrated sealable rebate
 - ◆ With galvanized steel or glass-fibre reinforced polyester edge protection
 - ◆ Interlocking channel connection system (tongue and groove)
 - ◆ Pre-formed Ø 110 outlets for vertical, lateral and horizontal connections
 - ◆ Lateral channel connection option for T, corner and cross connections
 - ◆ Half-metre lengths for flow direction change (RW)
 - ◆ Suitable for the installation of MEARIN Plus and Expert 100 channel covers with STARFIX non-bolted grating securement
- ◆ Clear width: 100 mm
 - ◆ Fall type: Level fall
 - ◆ Loading class: A 15 – D 400 to EN 1433
 - ◆ CE conformity
 - ◆ Total height: 158 mm
 - ◆ Total width: MEARIN Plus 136 mm, MEARIN Expert 132 mm
 - ◆ Length: 500 mm and 1000 mm

Channel unit overview

MEARIN Plus 100 channel body

Edge: GRP

Description	Loading class	Length mm	Total width mm	Total height mm	Weight kg	Inlet sectional area cm ² *)	EDP number 010...
MEARIN Plus 100.0 channel ¹⁾²⁾	C 250	1000	136	158	4,00	107,06	140002
MEARIN Plus 100.1 channel ²⁾	C 250	500	136	158	2,00	107,06	140004
MEARIN Plus 100.1 RW channel ¹⁾²⁾³⁾	C 250	500	136	158	2,00	107,06	140006

MEARIN Expert 100 channel body

Edge: Galvanized steel

Description	Loading class	Length mm	Total width mm	Total height mm	Weight kg	Inlet sectional area cm ² *)	EDP number 010...
MEARIN Expert 100.0 channel ¹⁾²⁾	D 400	1000	132	158	5,80	107,06	140058
MEARIN Expert 100.1 channel ²⁾	D 400	500	132	158	2,80	107,06	140060
MEARIN Expert 100.1RW channel ¹⁾²⁾³⁾	D 400	500	132	158	2,80	107,06	140062

MEARIN Plus and Expert 100 accessories

Description	Loading class	Length mm	Total width mm	Total height mm	Weight kg	Inlet sectional area cm ² *)	EDP number 010...
MEARIN Plus 100 EK (silt box)	C 250	500	136	376	2,96	107,06	140008
MEARIN Expert 100 EK (silt box)	D 400	500	132	376	4,20	107,06	140064

Description	Thickness	Weight	EDP number 010...
	mm	kg	
MEARIN Plus/Expert 100 end cap, closed	5	0,04	140090
MEARIN Plus/Expert 100 end cap, Ø 110	5	0,06	140092
MEARIN Plus/Expert 100 end cap, lateral, Ø 110		0,08	140094
MEARIN Plus/Expert 100 channel adapter		0,04	140096
MEARIN Plus/Expert 100 outlet Ø 110		0,08	140098
MEARIN Plus/Expert 100 foul air trap		0,20	140100

- ¹⁾ Connection option for vertical outlet, Ø 110
end cap with lateral connector, Ø 110
lateral channels, for T, corner and cross connections
- ²⁾ Connection option for silt box, Ø 110 connections
end cap with horizontal connector, Ø 110
- ³⁾ Possible application flow direction change

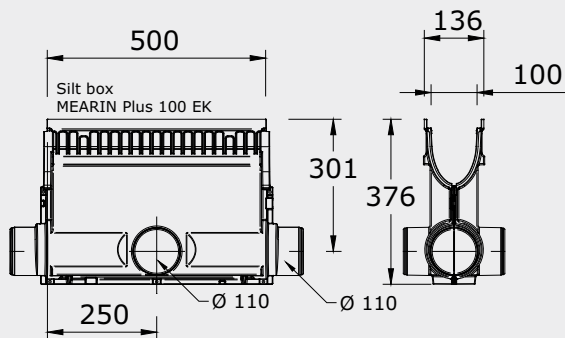
Note: RW direction change
Slot slotted grating
Mesh mesh grating
Duct. ductile iron slotted grating

*) cross sectional area from the grating surface to the invert of the channel.

MEARIN Plus and Expert 100 channel covers

Description	Loading class	Material	Length mm	Total width mm	Total height mm	Weight kg	Inlet sectional area cm ² /m	EDP number 010...
MEARIN Plus/Expert 100 Slot	A 15	galvanized steel	1000	122	20	1,40	280,00	140120
MEARIN Plus/Expert 100 Slot	A 15	galvanized steel	500	122	20	0,80	280,00	140122
MEARIN Plus/Expert 100 Mesh 30/10	A 15	galvanized steel	1000	122	20	3,02	845,00	140124
MEARIN Plus/Expert 100 Mesh 30/10	A 15	galvanized steel	500	122	20	1,62	808,00	140126
MEARIN Plus/Expert 100 Perf.	A 15	galvanized steel	1000	122	20	1,75	302,00	140226
MEARIN Plus/Expert 100 Perf.	A 15	galvanized steel	500	122	20	0,95	302,00	140228
MEARIN Plus/Expert 100 Perf.	A 15	stainless steel	1000	122	20	1,75	302,00	140230
MEARIN Plus/Expert 100 Perf.	A 15	stainless steel	500	122	20	0,95	302,00	140232
MEARIN Plus/Expert 100 Slot	A 15	stainless steel	1000	122	20	2,40	280,00	140234
MEARIN Plus/Expert 100 Slot	A 15	stainless steel	500	122	20	1,30	280,00	140236
MEARIN Plus/Expert 100 Mesh 30/10	A 15	stainless steel	1000	122	20	3,02	845,00	140238
MEARIN Plus/Expert 100 Mesh 30/10	A 15	stainless steel	500	122	20	1,62	808,00	140240
MEARIN Plus/Expert 100 Perf. grey	A 15	HD-PE	500	122	20	0,66	302,00	140128
MEARIN Plus/Expert 100 Perf. beige	A 15	HD-PE	500	122	20	0,66	302,00	140130
MEARIN Plus/Expert 100 Design 'Rays'	A 15	stainless steel	1000	122	20	1,45	218,00	140194
MEARIN Plus/Expert 100 Design 'Rays'	A 15	stainless steel	500	122	20	0,75	218,00	140196
MEARIN Plus/Expert 100 Design 'Fish'	A 15	stainless steel	1000	122	20	1,45	150,00	140198
MEARIN Plus/Expert 100 Design 'Fish'	A 15	stainless steel	500	122	20	0,75	150,00	140200
MEARIN Plus/Expert 100 Design 'Rallye'	A 15	stainless steel	1000	122	20	1,45	260,00	140202
MEARIN Plus/Expert 100 Design 'Rallye'	A 15	stainless steel	500	122	20	0,75	260,00	140204
MEARIN Plus/Expert 100 Design 'Lozenge'	A 15	stainless steel	1000	122	20	1,45	176,00	140206
MEARIN Plus/Expert 100 Design 'Lozenge'	A 15	stainless steel	500	122	20	0,75	176,00	140208
MEARIN Plus/Expert 100 Design 'Rays'	A 15	galvanized steel	1000	122	20	1,45	218,00	140210
MEARIN Plus/Expert 100 Design 'Rays'	A 15	galvanized steel	500	122	20	0,75	218,00	140212
MEARIN Plus/Expert 100 Design 'Fish'	A 15	galvanized steel	1000	122	20	1,45	150,00	140214
MEARIN Plus/Expert 100 Design 'Fish'	A 15	galvanized steel	500	122	20	0,75	150,00	140216
MEARIN Plus/Expert 100 Design 'Rallye'	A 15	galvanized steel	1000	122	20	1,45	260,00	140218
MEARIN Plus/Expert 100 Design 'Rallye'	A 15	galvanized steel	500	122	20	0,75	260,00	140220
MEARIN Plus/Expert 100 Design 'Lozenge'	A 15	galvanized steel	1000	122	20	1,45	176,00	140222
MEARIN Plus/Expert 100 Design 'Lozenge'	A 15	galvanized steel	500	122	20	0,75	176,00	140224
MEARIN Plus/Expert 100 Mesh 30/10	B 125	galvanized steel	1000	122	20	3,60	845,00	140132
MEARIN Plus/Expert 100 Mesh 30/10	B 125	galvanized steel	500	122	20	1,91	808,00	140134
MEARIN Plus/Expert 100 Slot	C 250	galvanized steel	1000	122	20	4,20	280,00	140136
MEARIN Plus/Expert 100 Slot	C 250	galvanized steel	500	122	20	2,10	280,00	140138
MEARIN Plus/Expert 100 Mesh 30/20	C 250	galvanized steel	1000	122	20	4,29	857,00	140140
MEARIN Plus/Expert 100 Mesh 30/20	C 250	galvanized steel	500	122	20	2,23	822,00	140142
MEARIN Plus/Expert 100 Duct.	C 250	ductile iron	500	122	20	3,70	350,00	140144
MEARIN Plus/Expert 100 Slot	C 250	stainless steel	1000	122	20	5,50	280,00	140242
MEARIN Plus/Expert 100 Slot	C 250	stainless steel	500	122	20	2,80	280,00	140244
MEARIN Plus/Expert 100 Mesh 30/20	C 250	stainless steel	1000	122	20	4,29	857,00	140246
MEARIN Plus/Expert 100 Mesh 30/20	C 250	stainless steel	500	122	20	2,23	822,00	140248
MEARIN Plus/Expert 100 Mesh 30/20	D 400	galvanized steel	1000	122	20	5,70	794,00	140146
MEARIN Plus/Expert 100 Mesh 30/20	D 400	galvanized steel	500	122	20	2,85	762,00	140148
MEARIN Plus/Expert 100 Duct.	D 400	ductile iron	500	122	20	3,85	400,00	140150
MEARIN Plus/Expert 100 Mesh 30/20	D 400	stainless steel	1000	122	20	6,18	794,00	140250
MEARIN Plus/Expert 100 Mesh 30/20	D 400	stainless steel	500	122	20	3,14	762,00	140252
MEARIN Plus/Expert 100 WAVE-grating		ductile iron	500	122	20	3,85	546,00	140154

Silt box in glass-fibre reinforced polyester

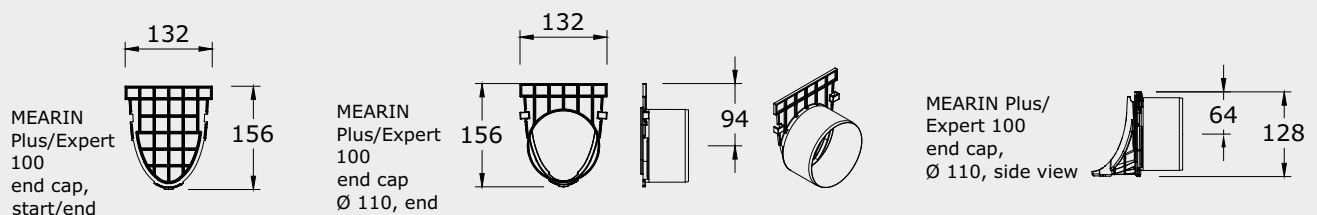


Description and sizes

- ◆ Suitable for MEARIN Plus 100 and MEARIN Expert 100
- ◆ With galvanized steel or glass-fibre reinforced polyester edge protection
- ◆ With sediment bucket
- ◆ Connection option for Ø 110
- ◆ Interlocking channel connection system
- ◆ Suitable for the installation of MEARIN Plus and Expert 100 channel covers with STARFIX non-bolted grating securement

	Loading class	Length mm	Total width mm	Total height mm	Weight kg	Inlet sectional area cm ²	EDP Nr
Edge: GRP							010...
MEARIN Plus 100 EK (silt box)	C 250	500	136	376	2,96	107,06	140008
Edge: galvanized steel							
MEARIN Expert 100 EK (silt box)	D 400	500	132	376	4,20	107,06	140064

End caps

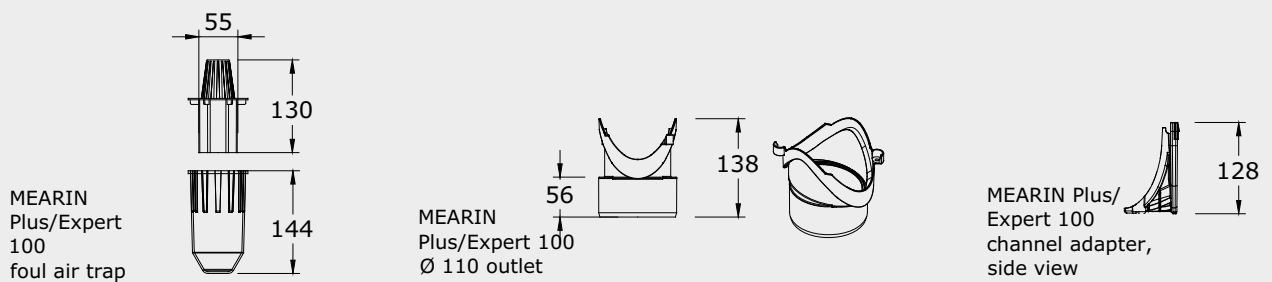


Description and sizes

- ◆ Suitable for MEARIN Plus 100 and MEARIN Expert 100
- ◆ Connection option for Ø 110
- ◆ Material: polypropylene

	Thickness mm	Weight kg	EDP Nr 010...
MEARIN Plus/Expert 100 end cap, closed	5	0,04	140090
MEARIN Plus/Expert 100 end cap, Ø 110	5	0,06	140092
MEARIN Plus/Expert 100 end cap, lateral, Ø 110	5	0,08	140094

Foul air trap, outlet connector and channel adapter

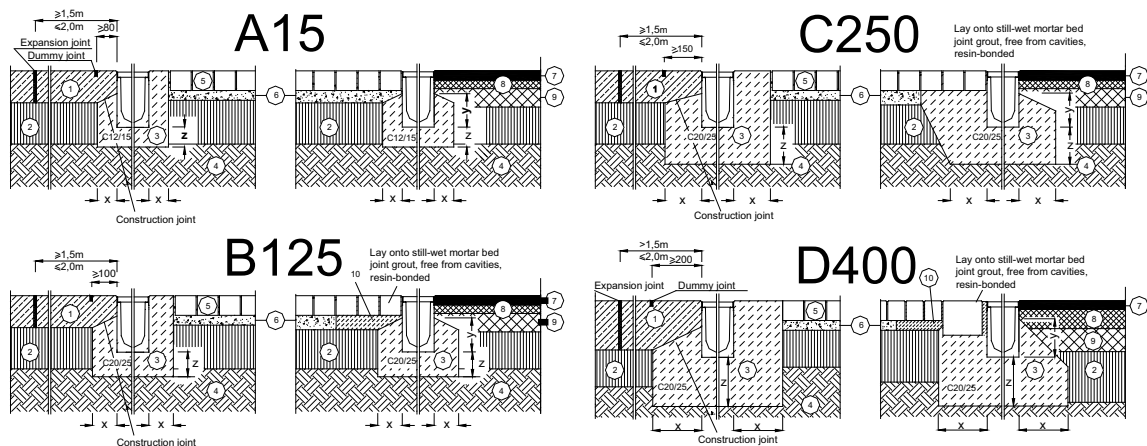


Description and sizes

- ◆ Suitable for MEARIN Plus 100 and MEARIN Expert 100
- ◆ Material: polypropylene

	Weight kg	EDP nr 010...
MEARIN Plus/Expert 100 channel adapter	0,04	140096
MEARIN Plus/Expert 100 Ø 110 outlet	0,08	140098
MEARIN Plus/Expert 100 foul air trap	0,20	140100

Installation examples



- ① Driveway surface in concrete
- ② Base course
- ③ Concrete haunch
- ④ Native soil
- ⑤ Paving stone surface
- ⑥ Paving stone bed
- ⑦ Bituminous top course
- ⑧ Binder course
- ⑨ Bituminous base course
- ⑩ Bed of mortar

The adjoining pavement is to be installed so that no horizontal forces act on channel elements!

Loading class EN 1433	A 15 kN	B 125 kN	C 250 kN	D 400 kN
Channels made from glass-fibre reinforced polyester				
Concrete quality to EN 206-1	C 12/15	C 20/25	C 20/25	C 20/25
X	> 80 mm	> 100 mm	> 150 mm	> 200 mm
Y = Channel height	- 80 mm	- 80 mm	- 50 mm	- 50 mm
Z	> 80 mm	> 100 mm	> 150 mm	> 200 mm

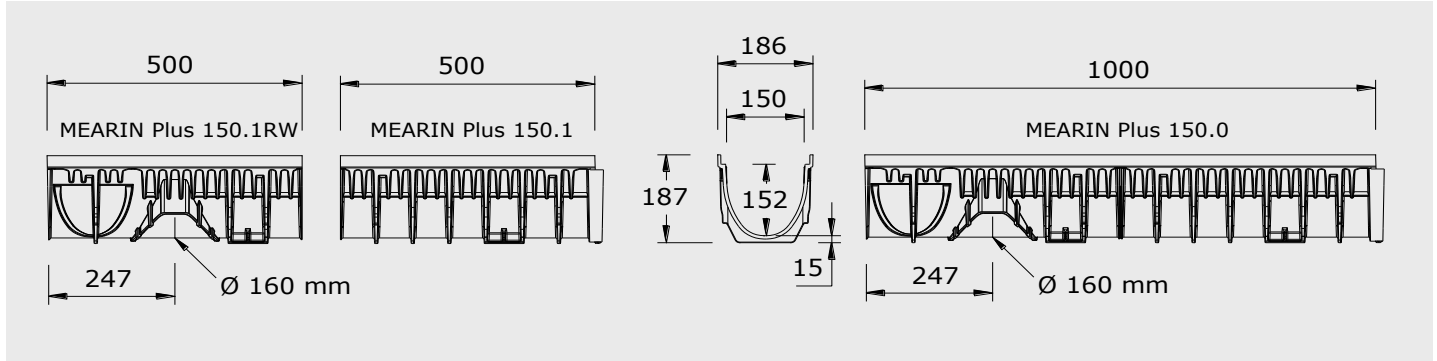
For enquiries in the UK and Ireland: For all other enquiries:

MEA UK Limited
 Rectors Lane
 Pentre
 Deeside
 Flintshire
 CH5 2DH
 tel: 0 1244 53 44 55
 fax: 0 1244 53 44 77
 uk.technical@mea.de
 www.mea-group.com

MEA Polymer Beton B.V.
 Ambachtsweg 18
 7021 BT Zelhem
 P.O. Box 90
 7020 AB Zelhem
 The Netherlands
 tel: (+31) 314 62 77 62
 fax: (+31) 314 62 77 77
 sales.info@nl.mea.de
 www.mea-group.com

MEARIN Plus and Expert 150 Drainage channel with channel groove

MEARIN Plus 150



Material properties

Channel unit and construction unit

o SMC (Sheet moulded compound)

glas fibre reinforced polyester, with natural minerals

- o Tensile strength: 65 N/mm² (ISO527)
- o Flexural tensile strength: 120 N/mm² (ISO14125)
- o Modulus of elasticity: 10.000 N/mm² (ISO14125)
- o Linear expansion coefficient: 1,5 - 2,0 x 10⁻⁵/K
- o Heat resistance: 100°C permanent exposure, short-term exposure to 200°C
- o Frost resistance: -35°C
- o Water absorption: <0,1% (ISO R178)
- o Material structure: capillary free

Edge protection

MEARIN Plus

- o glas fibre reinforced polyester

MEARIN Expert

- o galvanized steel

Channel covers

- o galvanized steel
- o ductile iron GGG (Sphäro)

Remark

* From loading class D400 not suitable for cross drainage of high speed roads and motorways

MEARIN Plus and Expert 150 drainage systems with/without integrated galvanized steel edge protection and channel groove to EN 1433

Complete drainage system made of glassfibre reinforced polyester (GRP), with channel cover including STARFIX fast locking system.

Clear width 150mm, total width 186/182mm. Suitable for all channel covers **MEARIN Plus/Expert 150**.

Channel units without fall. Loading class as indicated, when build-in in accordance to MEA installation instructions.

With RAL-certificate drainage channel-systems.

Complete channel MEARIN Plus 150 with galvanized mesh grating B125 - STARFIX

NEW 2012	material group	product description	length [mm]	total height [mm]	EDP-No. 010...	EAN-code 4001990...	kg/unit	units/pallet
	MP	MEARIN Plus 150.0 ^{1) 2)} Channel + galvanized mesh grating 30/10	1000	187	140528	275443	14,50	24

Complete channel MEARIN Plus 150 with ductile iron slotted grating GGG C250-STARFIX

NEW 2012	material group	product description	length [mm]	total height [mm]	EDP-No. 010...	EAN-code 4001990...	kg/unit	units/pallet
	MP	MEARIN Plus 150.0 ^{1) 2)} Channel + ductile iron slotted grating 12/150	1000	187	140530	275450	15,90	24

Complete channel MEARIN PLUS 150 with ductile iron slotted grating GGG D400*-STARFIX

NEW 2012	material group	product description	length [mm]	total height [mm]	EDP-No. 010...	EAN-code 4001990...	kg/unit	units/pallet
	MP	MEARIN Plus 150.0 ^{1) 2)} Channel + ductile iron slotted grating 12/150	1000	187	140532	275467	17,50	24

Complete channel MEARIN Expert 150 with ADA ductile iron slotted grating GGG E600*-STARFIX

NEW 2012	material group	product description	length [mm]	total height [mm]	EDP-No. 010...	EAN-code 4001990...	kg/unit	units/pallet
	MP	MEARIN Expert 150.0 ^{1) 2)} Channel + ADA slotted grating 26/7,7	1000	187	140534	275474	11,95	24

1) Connection facility for vertical outlet Ø 160mm, end caps with lateral connector Ø 160 mm, lateral channel connection, for T- and cross connections.

2) Connection facilities for silt box, connection Ø160mm, end caps with horizontal connector, Ø 160mm.

Remark

The surface coating of ductile iron parts only has a cosmetic function. Because of surface oxidation, ductile iron is even irresistible against environment influences (e.g. salt solutions for de-icing). Therefore, surface oxidation of ductile iron parts is not admitted as a complaint by MEA. Of course, the resignation of surface coating is in accordance with all corresponding standards.

* From loading class D400 not suitable for cross drainage of high speed roads and motorways

MEARIN Plus 150 Channel unit

With GRP edge protection and channel groove to EN 1433

Channel made of glassfibre reinforced polyester (GRP)

Clear width 150mm, total width 186mm. Suitable for all channel covers **MEARIN Plus/Expert 150**.

Channel units without fall. Loading classes as indicated, when build-in in accordance with the MEA installation instructions.

With RAL-certificate drainage channel-systems.

Channel unit MEARIN Plus 150, CW 150, classes A15 to D400*

NEW 2012	material group	product description	length [mm]	total height [mm]	EDP-No. 010...	EAN-code 4001990...	kg/unit	units/pallet
	MP	MEARIN Plus 150.0 ^{1) 2)} Channel	1000	187	140516	274781	4,50	44
	MP	MEARIN Plus 150.1 ²⁾ Channel	500	187	140518	274798	2,25	88
	MP	MEARIN Plus 150.1RW ^{1) 2) 4)} Channel	500	187	140520	275405	2,25	88

MEARIN Expert 150 Channel unit

With integrated galv. steel edge protection and channel groove to EN 1433

Channel made of glassfibre reinforced polyester (GRP)

Clear width 150mm, total width 182mm. Suitable for all channel covers **MEARIN Plus/Expert 150**.

Channel units without fall. Loading classes as indicated, when build-in in accordance with the MEA installation instructions.

With RAL-certificate drainage channel-systems.

Channel unit MEARIN Expert 150, CW 150, classes A15 to E600*

NEW 2012	material group	product description	length [mm] mm	total height [mm]	EDP-No. 010...	EAN-code 4001990...	kg/unit	units/pallet
	MP	MEARIN Expert 150.0 ^{1) 2)} Channel	1000	187	140522	275412	6,50	44
	MP	MEARIN Expert 150.1 ²⁾ Channel	500	187	140524	275429	3,25	88
	MP	MEARIN Expert 150.1RW ^{1) 2) 4)} Channel	500	187	140526	275436	3,25	88

1) Connection facility for vertical outlet Ø 160mm, end caps with lateral connector Ø 160 mm, lateral channel connection, for T- and cross connections.

2) Connection facilities for silt box, connection Ø 160mm, end caps with horizontal connector, Ø 160mm

4) Can be used to change the flow direction

Remark

* From loading class D400 not suitable for cross drainage of high speed roads and motorways

Technical Datasheet Drainage Systems

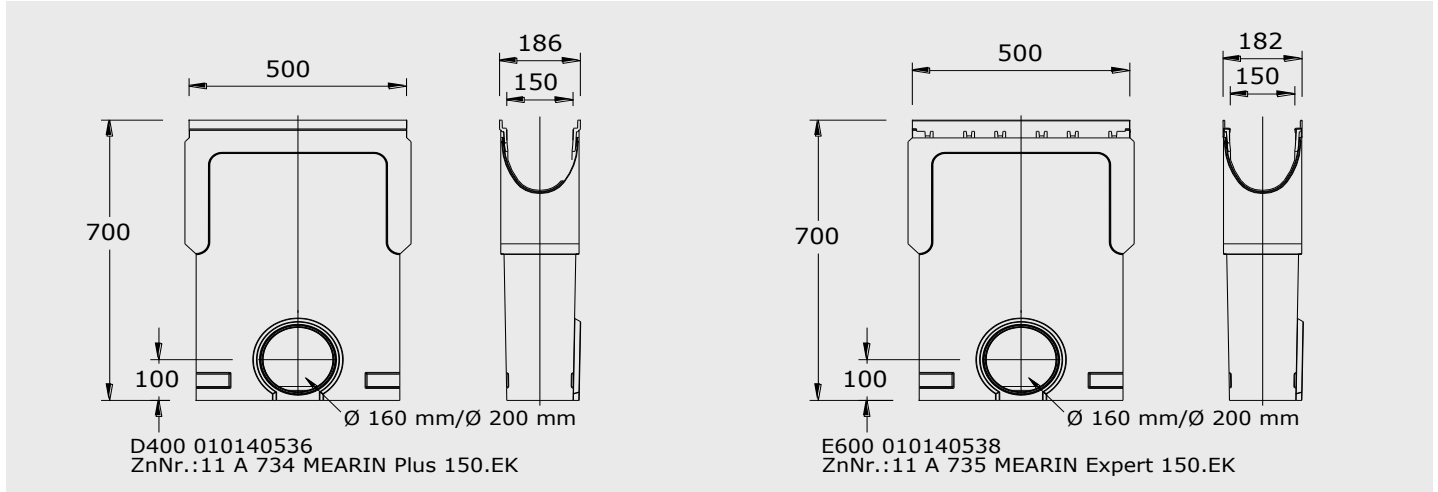
MEARIN Plus and Expert drainage system

CW 150

A15 B125 C250 D400* E600*

MEARIN Plus and Expert 150 accessories

MEARIN Plus and Expert 150 silt boxes



Silt box for MEARIN Plus 150

NEW 2012		material group	product description	length [mm]	total height [mm]	EDP-No. 010...	EAN-code 4001990...	kg/unit	units/pallet
MP			MEARIN Plus 150.EK silt box of polymer concrete, with GRP-edge, for pipe connection Ø 160 mm or Ø 200 mm, incl. sediment bucket made of plastic	500	700	140536	275481	28,50	6

Silt box for MEARIN Expert 150

NEW 2012		material group	product description	length [mm]	total height [mm]	EDP-No. 010...	EAN-code 4001990...	kg/unit	units/pallet
MP			MEARIN Expert 150.EK silt box of polymer concrete, with galvanized steel edge, for pipe connection Ø 160 mm or Ø 200 mm, incl. sediment bucket made of plastic	500	700	140538	275498	28,50	6

MEARIN Plus/Expert sealing material¹⁾

material group	product description	material	EDP-No. 010...	EAN-code 4001990...	kg/unit	units/pallet
MP	MEARIN Plus/Expert sealing material in channel color RAL 7044 - 310 ml suitable for standard pistol	Silant Polymer	140260	205426	0,60	1

1) Only for sealing channels which drain rain water.

Not appropriate for e.g. fuel stations or other areas where channels are exposed to chemicals.

Remark

* From loading class D400 not suitable for cross drainage of high speed roads and motorways

Technical Datasheet Drainage Systems

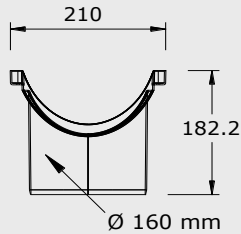
MEARIN Plus and Expert drainage system

CW 150

A15 B125 C250 D400* E600*

MEARIN Plus and Expert 150 accessories

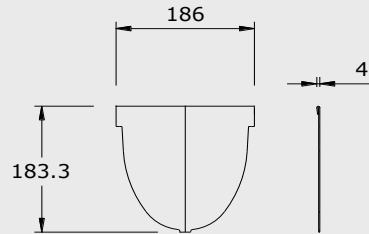
MEARIN Plus and Expert 150 accessories



010140117

MEARIN Plus/Expert 150

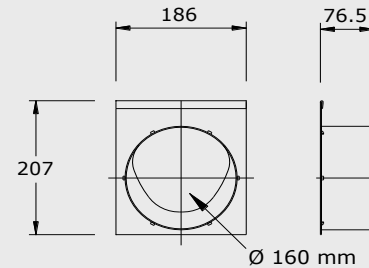
vertical outlet connection Ø 160 mm



010140540

MEARIN Plus/Expert 150.SE

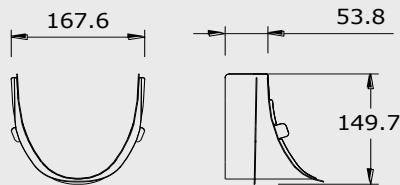
end cap closed



010140542

MEARIN Plus/Expert 150.ES

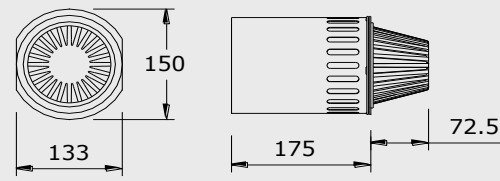
end cap Ø 160 mm for end and lat. pipe con.



010140544

MEARIN Plus/Expert 150

adapter for lateral channel connector



010140546

MEARIN Plus/Expert 150

readable foul air trap

Connection-accessories and end caps for MEARIN Plus/Expert 150

	material group	product description	material	EDP-No. 010...	EAN-code 4001990...	kg/unit	units/pallet
NEW 2012	MP	MEARIN Plus/Expert 150.SE End cap closed. For channel start/end	galv-steel	140540	276105	0,70	1
NEW 2012	MP	MEARIN Plus/Expert 150.ES End cap with connector Ø 160 mm. For channel end and lateral pipe connection	galv-steel	140542	276112	0,60	1
	MP	MEARIN Plus/Expert 150 and 200 vertical outlet connection Ø 160 mm	PP	140117	276198	0,14	1
NEW 2012	MP	MEARIN Plus/Expert 150 adapter for lateral channel connector, for corner, T- and cross connections	galv-steel	140544	276129	0,60	1
NEW 2012	MP	MEARIN Plus/Expert 150 readable foul air trap entails sediment dirt strainer and sediment bucket	PP/galv-steel	140546	276136	2,00	1

Remark

* From loading class D400 not suitable for cross drainage of high speed roads and motorways

Technical Datasheet Drainage Systems

MEARIN Plus and Expert drainage system

CW 150

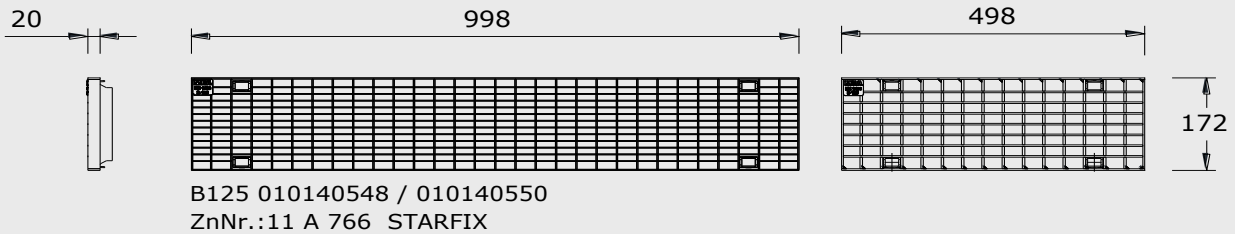
A15 B125 C250 D400* E600*

Top 150 STARFIX channel covers

With non-bolted STARFIX locking mechanism, suitable for MEARIN Plus 150 and MEARIN Expert 150.

For channel body and silt box, total width 172mm.

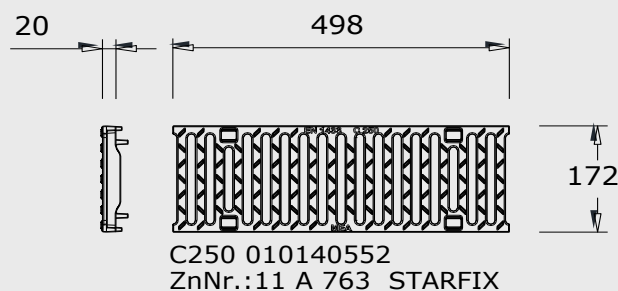
Mesh grating 30/10 with STARFIX, loading class B125



Class B125 to EN 1433 with STARFIX

NEW 2012		material group	product description	material	length [mm]	EDP-No. 010...	EAN-Code 4001990...	Inlet sect. area \varnothing cm ² /m	kg/unit	units/pallet
MP			MEARIN Plus/Expert 150 mesh grating 30/10	galv. steel	1000	140548	276143	1200	10,00	30
MP			MEARIN Plus/Expert 150 mesh grating 30/10	galv. steel	500	140550	276150	1200	5,00	30

Ductile iron slotted grating 12/150 with STARFIX, loading class C250



Class C250 to EN 1433 with STARFIX

NEW 2012		material group	product description	material	length [mm]	EDP-No. 010...	EAN-Code 4001990...	Inlet sect. area \varnothing cm ² /m	kg/unit	units/pallet
MP			MEARIN Plus/Expert 150 ductile iron slotted grating 12/150	ductile iron	500	140552	276167	618	5,70	104

Remark

* From loading class D400 not suitable for cross drainage of high speed roads and motorways

Technical Datasheet Drainage Systems

MEARIN Plus and Expert

CW 150

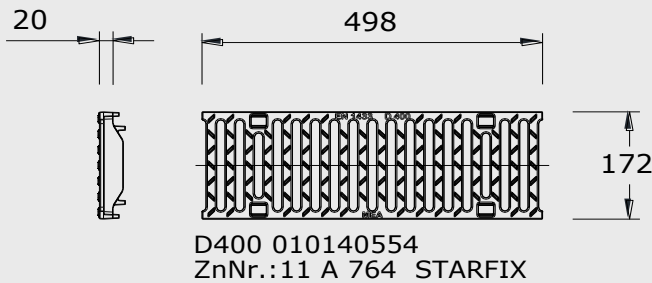
A15 B125 C250 D400* E600*

Top 150 STARFIX channel covers

With non-bolted STARFIX locking mechanism, suitable for **MEARIN Plus 150** and **MEARIN Expert 150**.

For channel body and silt box, total width 172mm.

Ductile iron slotted grating with STARFIX, loading class D400*

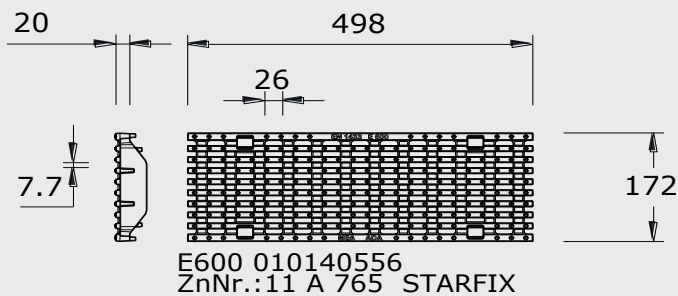


Class D400* to EN 1433 with STARFIX

NEW 2012

material group	product description	material	length [mm]	EDP-No. 010...	EAN-Code 4001990...	Inlet sect. area \varnothing cm ² /m	kg/unit	units/pallet
MP	MEARIN Plus/Expert 150 ductile iron slotted grating 12/150	ductile iron	500	140554	276174	618	6,50	104

ADA ductile iron long bar grating 26/7,7 with STARFIX, loading class E600*



Class E600* to EN 1433 with STARFIX

NEW 2012

material group	product description	material	length [mm]	EDP-No. 010...	EAN-Code 4001990...	Inlet sect. area \varnothing cm ² /m	kg/unit	units/pallet
MP	MEARIN Expert 150 ADA ductile iron long bar grating 26/7,7	ductile iron	500	140556	276181	552	7,45	104

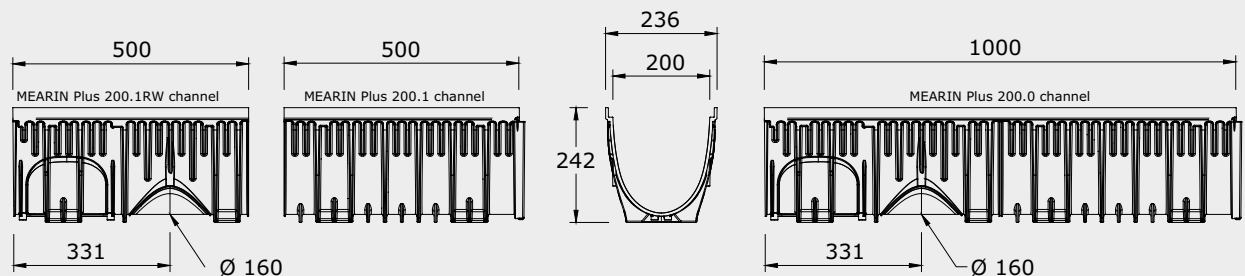
MEA Water Management GmbH
Industriestraße 8
86551 Aichach Ecknach
Tel.: +49 (0) 82 51. 91 0
Fax: +49 (0) 82 51. 91 13 00
E-Mail: info.drainage@mea.de
www.mea-group.com

Remark

* From loading class D400 not suitable for cross drainage of high speed roads and motorways

MEARIN® Plus 200 and Expert 200

Technical data sheet



Material properties

Channel body and accessories

- ◆ SMC (sheet moulded compound)
Glassfibre reinforced polyester, mineral fillers, additives
- ◆ Tensile strength 65 N/mm² (ISO527)
- ◆ Flexural tensile strength 120 N/mm² (ISO 14125)
- ◆ Modulus of elasticity 10.000 N/mm² (ISO 14125)
- ◆ Linear expansion coefficient 1.5 - 2.0 x 10⁻⁵ 1/K
- ◆ Heat resistance 100°C permanent exposure, short-term exposure to 200°C
- ◆ Frost resistance -35°C
- ◆ Water absorption < 0.1% (ISO R178)
- ◆ Material structure capillary free

Edge protection

MEARIN Plus

- ◆ Glassfibre reinforced polyester

MEARIN Expert

- ◆ Galvanized steel

Channel covers

- ◆ Galvanized steel
- ◆ Ductile iron

Description and sizes

- ◆ Drainage channels made of glass-fibre reinforced polyester with integrated sealable rebate
- ◆ With galvanized steel or glass-fibre reinforced polyester edge protection
- ◆ Pre-formed Ø 160 outlets for vertical, lateral and horizontal connections
- ◆ Interlocking channel connection system (tongue and groove)
- ◆ Lateral channel connection option for T, corner and cross connections
- ◆ Half-metre lengths for flow direction change (RW)
- ◆ Suitable for the installation of MEARIN Plus and Expert 200 channel covers with STARFIX non-bolted grating securement

- ◆ Clear width: 200 mm
- ◆ Fall type: Level fall
- ◆ Loading class: A 15 - E 600 to EN 1433
- ◆ CE conformity
- ◆ Total height: 242 mm
- ◆ Total width: MEARIN Plus 236 mm, MEARIN Expert 232 mm
- ◆ Length: 500 mm and 1000 mm

Channel unit overview

MEARIN Plus 200 channel body

Edge: GRP

Description	Loading class	Length mm	Total width mm	Total height mm	Weight kg	Inlet sectional area cm ² *)
MEARIN Plus 200.0 channel ¹⁾²⁾	D 400	1000	236	242	6,70	334,50
MEARIN Plus 200.1 channel ²⁾	D 400	500	236	242	3,35	334,50
MEARIN Plus 200.1 RW channel ¹⁾²⁾³⁾	D 400	500	236	242	3,35	334,50

MEARIN Expert 200 channel body

Edge: Galvanized steel

Description	Loading class	Length mm	Total width mm	Total height mm	Weight kg	Inlet sectional area cm ² *)
MEARIN Expert 200.0 channel ¹⁾²⁾	E 600	1000	232	242	8,30	334,50
MEARIN Expert 200.1 channel ²⁾	E 600	500	232	242	4,30	334,50
MEARIN Expert 200.1RW channel ¹⁾²⁾³⁾	E 600	500	232	242	4,30	334,50

MEARIN Plus and Expert 200 accessories

Description	Loading class	Length mm	Total width mm	Total height mm	Weight kg	Inlet sectional area cm ² *)
MEARIN Plus 200 EK (silt box)	D 400	500	236	630	4,65	334,50
MEARIN Expert 200 EK (silt box)	E 600	500	232	630	5,65	334,50

Description	Thickness		Weight
	mm		kg
MEARIN Plus/Expert 200 end cap, closed	5		0,18
MEARIN Plus/Expert 200 end cap, Ø 160	5		0,19
MEARIN Plus/Expert 200 end cap, lateral, Ø 160			0,24
MEARIN Plus/Expert 200 channel adapter			0,09
MEARIN Plus/Expert 200 outlet Ø 160			0,14

MEARIN Plus and Expert 200 channel covers

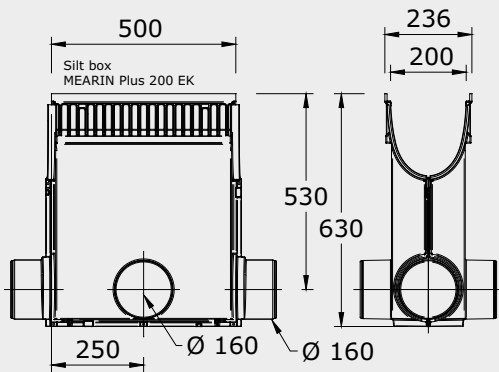
Description	Loading class	Material	Length mm	Total width mm	Total height mm	Weight kg	Inlet sectional area cm ² /m
MEARIN Plus/Expert 200 Mesh 30/10	A 15	galvanized steel	1000	222	20	5,97	1657,00
MEARIN Plus/Expert 200 Mesh 30/10	A 15	galvanized steel	500	222	20	3,10	1606,00
MEARIN Plus/Expert 200 Mesh 30/10	B 125	galvanized steel	1000	222	20	7,03	1657,00
MEARIN Plus/Expert 200 Mesh 30/10	B 125	galvanized steel	500	222	20	3,60	1606,00
MEARIN Plus/Expert 200 Mesh 30/20	C 250	galvanized steel	1000	222	20	9,70	1661,00
MEARIN Plus/Expert 200 Mesh 30/20	C 250	galvanized steel	500	222	20	4,85	1614,00
MEARIN Plus/Expert 200 Mesh 30/20	C 250	stainless steel	1000	222	20	10,62	1661,00
MEARIN Plus/Expert 200 Mesh 30/20	C 250	stainless steel	500	222	20	5,34	1614,00
MEARIN Plus/Expert 200 Duct.	C 250	ductile iron	1000	222	20	7,00	1077,00
MEARIN Plus/Expert 200 Mesh 30/20	D 400	galvanized steel	500	222	20	14,28	1530,00
MEARIN Plus/Expert 200 Mesh 30/20	D 400	galvanized steel	1000	222	20	7,12	1485,00
MEARIN Plus/Expert 200 Duct.	D 400	ductile iron	500	222	20	8,45	1077,00
MEARIN Plus/Expert 200 WAVE-grating	E 600	ductile iron	500	222	20	8,45	1004,00

- ¹⁾ Connection option for vertical outlet, Ø 160
end cap with lateral connector, Ø 160
lateral channels, for T, corner and cross connections
- ²⁾ Connection option for silt box, Ø 160 connections
end cap with horizontal connector, Ø 160
- ³⁾ Possible application flow direction change

Note: RW direction change
Mesh mesh grating
Duct. ductile iron slotted grating

*) Cross sectional area from the grating surface to the invert of the channel.

Silt box in glass-fibre reinforced polyester

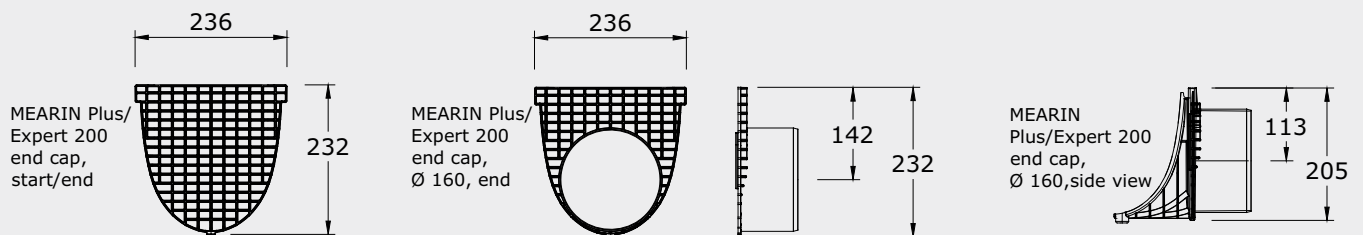


Description and sizes

- ◆ Suitable for MEARIN Plus 200 and MEARIN Expert 200
- ◆ With galvanized steel or glass-fibre reinforced polyester edge protection
- ◆ With sediment bucket
- ◆ Connection option for $\varnothing 160$
- ◆ Interlocking channel connection system
- ◆ Suitable for the installation of MEARIN Plus and Expert 200 channel covers with STARFIX non-bolted grating securement

	Loading class	Length mm	Total width mm	Total height mm	Weight kg	Inlet-sectional area cm ²
Edge: GRP						
MEARIN Plus 200 EK (silt box)	C 250	500	236	630	4,65	334,50
Edge: galvanized steel						
MEARIN Expert 200 EK (silt box)	D 400	500	232	630	5,65	334,50

End caps

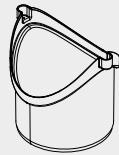
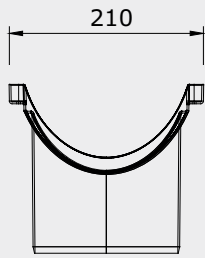


Description and sizes

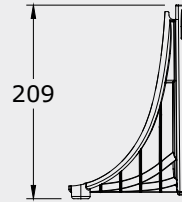
- ◆ Suitable for MEARIN Plus 200 and MEARIN Expert 200
- ◆ Connection option for $\varnothing 160$
- ◆ Material: polypropylene

	Thickness mm	Weight kg
MEARIN Plus/Expert 200 end cap, closed	5	0,18
MEARIN Plus/Expert 200 end cap, $\varnothing 160$	5	0,19
MEARIN Plus/Expert 200 end cap, lateral, $\varnothing 160$	5	0,24

Outlet connector and channel adapter



MEARIN
Plus/Expert 200
Ø 160 outlet



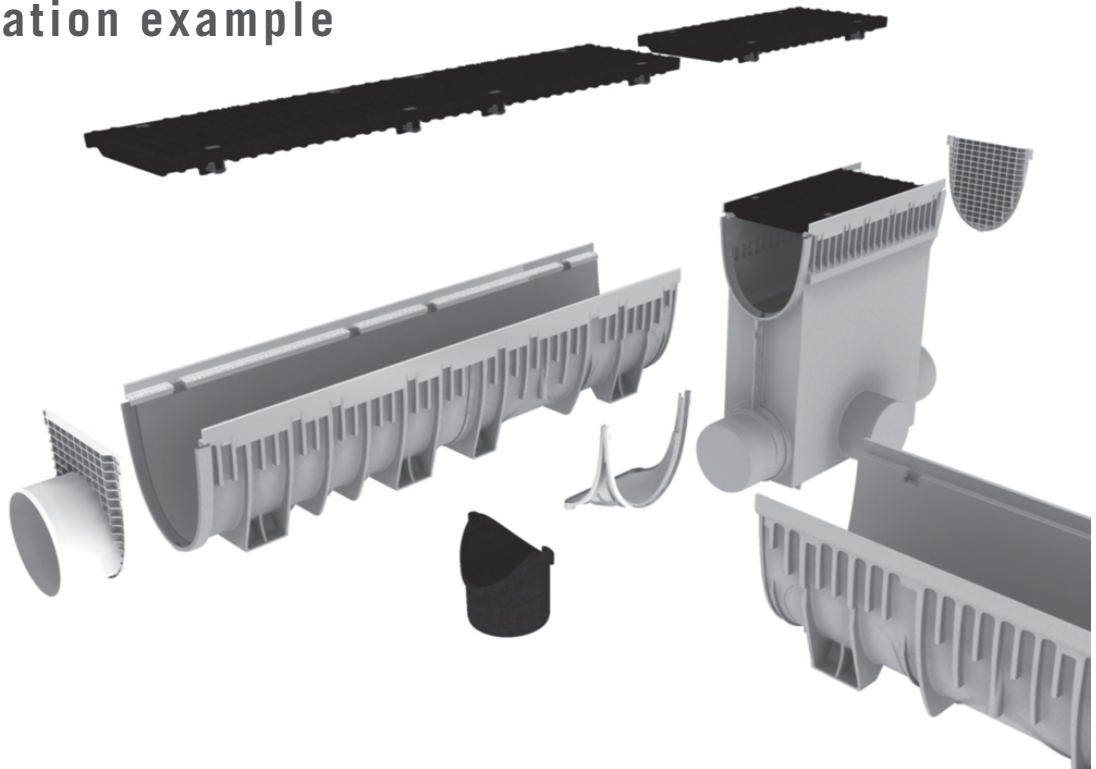
MEARIN
Plus/Expert 200
channel adapter,
side view

Description and sizes

- ◆ Suitable for MEARIN Plus 200 and MEARIN Expert 200
- ◆ Material: polypropylene

	Weight kg
MEARIN Plus/Expert 200 channel adapter	0,09
MEARIN Plus/Expert 200 Ø 160 outlet	0,14

Installation example



MEA UK Limited

Rectors Lane
Pentre
Deeside
Flintshire
CH5 2DH
tel: 0 1244 53 44 55
fax: 0 1244 53 44 77
uk.technical@mea.de
www.mea-group.com

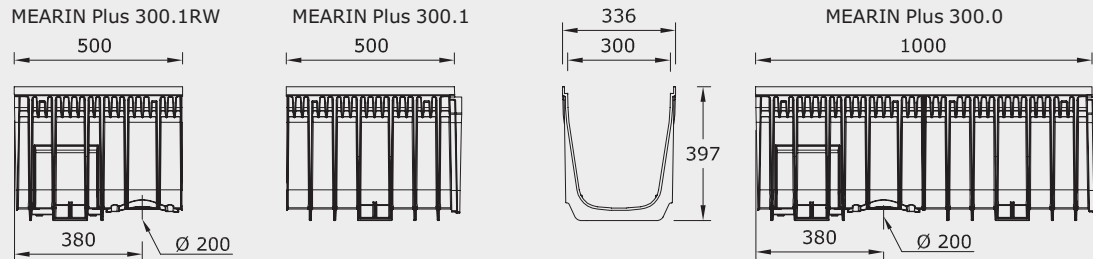
MEA Drainage Systems

Ambachtsweg 18
7021 BT Zelhem
P.O. Box 90
7020 AB Zelhem
The Netherlands
tel: (+31) 314 62 77 62
fax: (+31) 314 62 77 77
sales.info@nl.mea.de
www.mea-group.com



MEARIN Plus 300 and Expert 300

Datasheet



Material characteristics

Channel units and siltbox

- SMC (Sheet moulded compound) fibre glass reinforced polyester unsaturated, mineral fillers, additives
- Traction resistance 65 N/mm² (ISO 527)
- Flexion resistance 120 N/mm² (ISO 14125)
- Flexural modulus of elasticity 10000 N/mm² (ISO 14125)
- Longitudinally stretching coefficient 1,5-2,0 x 10⁻⁵ 1/K
- Constant heat 100°C permanent load, up to 200°C short-term
- Constant frost - 35°C
- Water absorption < 0,1% (ISO R178)
- Material structure capillary free

Edge protection

- **MEARIN Plus** fibre glass reinforced polyester
- **MEARIN Expert** Steel, continuously galvanised, zinc thickness 18µ

Channel grating covers

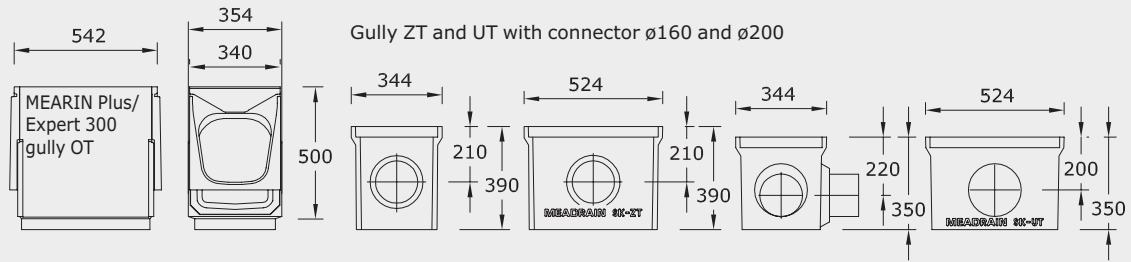
- Hot-galvanized steel, Zinc thickness 75 µ
- Cast iron: GGG (Sphäro)

Description and dimensions

- Fibre glass reinforced drainage channels with integrated channel groove
- With and without edge protection, galvanized steel
- Connection facility for outlet \varnothing 200mm, for vertical, sideways and horizontal connection
- Discharge capacity on cross sectional area 50 l/s
- Interlocking joint system for channel connection
- Channel connection facility sideways for t, corner and cross connections
- Half meter pieces for change at channel run
- Suitable for fitting MEARIN Plus and Expert 300 channel grating cover with STARFIX screwless grate safeguard

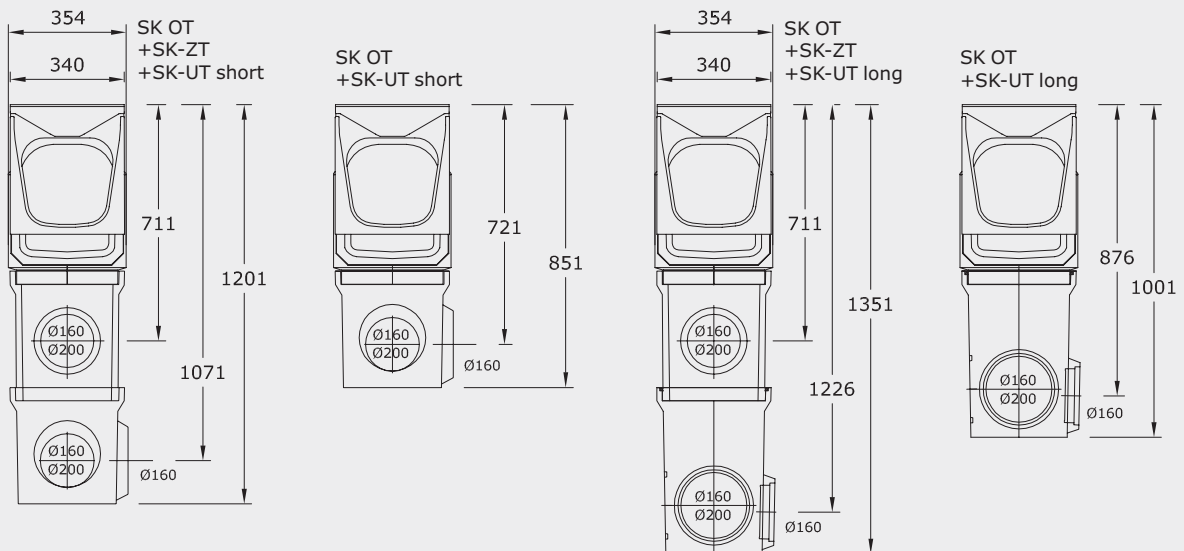
- Nominal size: 300 mm
- Fall available: no fall
- Load classifications: A15 to E600 according to EN1433
- CE compliant
- Total height: 397 mm
- Total width: MEARIN Plus 300: 336 mm, MEARIN Expert 300: 332 mm
- Total length: 500 mm und 1000 mm
- Channel unit weight: MEARIN Plus 300: 11,80 kg / MEARIN Expert 300: 13,72 kg

MEARIN Plus and Expert 300 2- or 3-parts polymer concrete gully

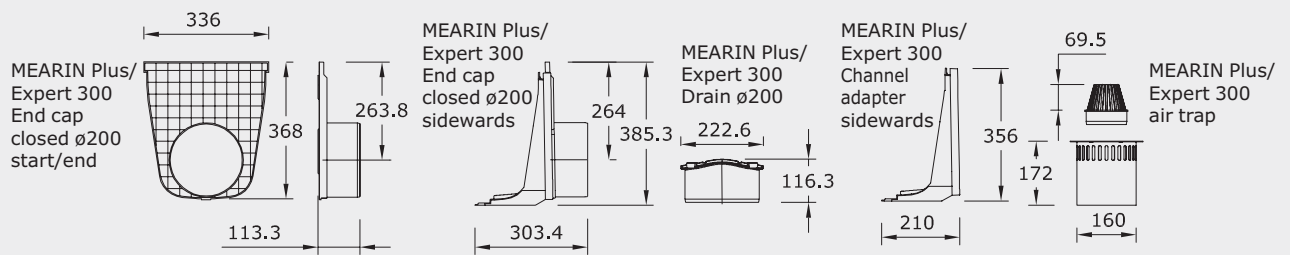


Description and dimensions gully

- Fitting MEARIN Plus 300 and MEARIN Expert 300 drainage channel
 - With edge protection, cast GG
 - In 2 sediment bucket variations, galvanized steel - "short" for gully-top+bottom-combination; "long" for gully-top+middle+bottom-combination;
 - Connection facility for $\varnothing 160$ mm and $\varnothing 200$ mm pipe
 - Interlocking joint system for channel connection
 - Suitable for fitting MEADRAIN-Top 3000 channel grating cover with PROFIX screwless gratesafeguard
- Nominal size: 300 mm
 - Load classifications: A15 to F900 according to EN1433
 - CE compliant
 - Total height: SK-OT+UT: 750 mm / SKOT+ZT+UT: 1100 mm
 - Total width: 354 mm (340 mm upper edge)
 - Total length: 542 mm
 - Weight: SK-OT: 39,10kg; SK-ZT: 22,00kg; SK-UT short: 24,00kg; SK-UT long: 33,60kg



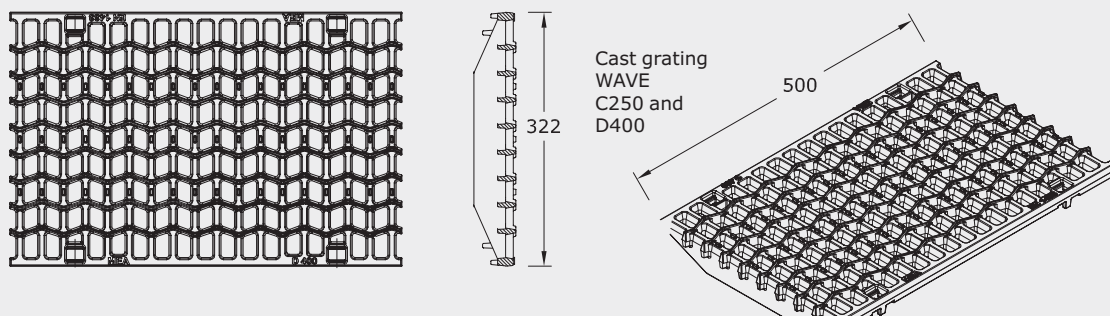
MEARIN Plus and Expert 300 accessory



Description and dimensions accessory

- Fitting MEARIN Plus 300 and MEARIN Expert 300 drainage channel
- End Cap for Channel start and -end with connection facility $\varnothing 200$ mm pipe
- End cap sideways seitlich for connection facility $\varnothing 200$ mm pipe, 90° to channel run
- Adapter for connecting channel unit sideways, 90° to channel run
- Vertical outlet connection, for connection facility $\varnothing 200$ mm pipe
- Roddable foul air trap mit dirt sieve and dirt trap, applicable for subsequent installation in vertical outlet connection
- Material polypropylene and galvanized steel
- All connectors fitted with channel groove according to EN1433

MEARIN Plus and Expert 300 channel grating cover



Description and dimensions

- Fitting MEARIN Plus 300 and MEARIN Expert 300 drainage channel
- With quick release fastener STARFIX
- Material Cast GGG50 and hot-galvanized steel, 75 μ
- Load classifications: C250, D400, and E600 according to EN1433

Description	Class mm	Length mm	Total width incl. grating mm	Insertion height mm	Weight kg	inflow cross section cm ²
MEARIN Plus/Expert 300 mesh grating, MW20/30	C250	1000	322	20	32,80	2265
MEARIN Plus/Expert 300 mesh grating, MW20/30	C250	500	322	20	16,20	2220
MEARIN Plus/Expert 300 cast grating WAVE	C250	500	322	20	15,50	1780
MEARIN Plus/Expert 300 cast grating WAVE	D400	500	322	20	19,00	1780
MEARIN Plus/Expert 300 cast grating WAVE	E600	500	322	20	22,00	1780
MEARIN Plus/Expert 300, solid cover closed	E600	500	322	20	20,60	–

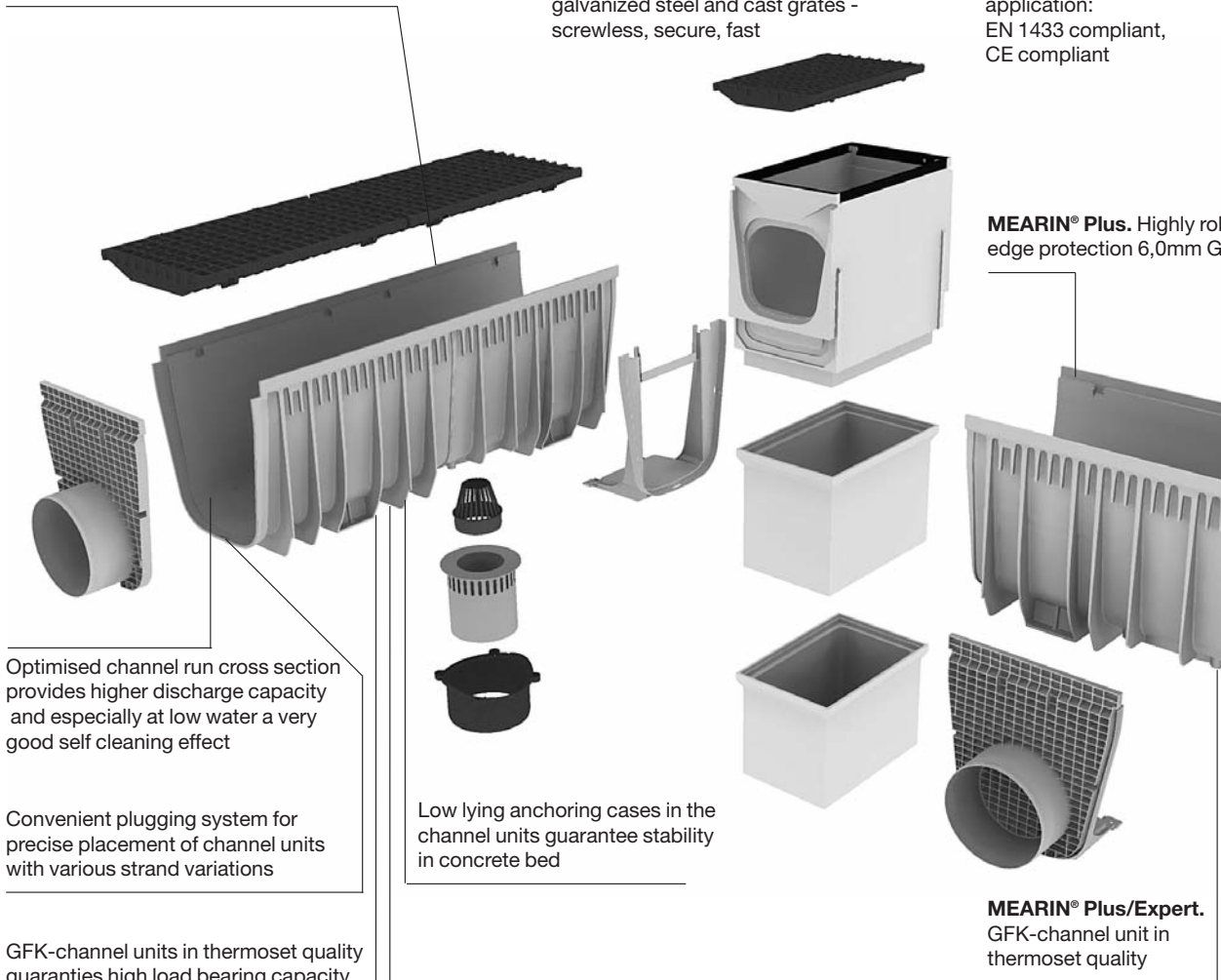
MEARIN Plus and Expert 300 System view



MEARIN® Expert. Solid grounded 4mm galvanized steel edge protection meets heavy duty demands

Innovative STARFIX grate fail-safe system:
Easy attaching and detaching of galvanized steel and cast grates - screwless, secure, fast

Complete, sealable GFK-channel unit system with accessory for standardised application:
EN 1433 compliant, CE compliant



Optimised channel run cross section provides higher discharge capacity and especially at low water a very good self cleaning effect

Convenient plugging system for precise placement of channel units with various strand variations

GFK-channel units in thermoset quality guaranties high load bearing capacity, temperature and form stability

High stability of channel units opens a huge field of deployment up to drainage solutions of class E600

Low lying anchoring cases in the channel units guarantee stability in concrete bed

MEARIN® Plus. Highly robust edge protection 6,0mm GFK

MEARIN® Plus/Expert. GFK-channel unit in thermoset quality

For enquiries in the UK and Ireland:

MEA UK Limited

Rectors Lane
Pentre
Deeside
Flintshire
CH5 2DH
tel: 0 1244 53 44 55
fax: 0 1244 53 44 77
uk.technical@mea.de
www.mea-group.com

For all other enquiries:

MEA Drainage Division

Ambachtsweg 18
7021 BT Zelhem
P.O. Box 90
7020 AB Zelhem
The Netherlands
tel: +31 (0) 314 62 77 62
fax: +31 (0) 314 62 77 77
sales.info@nl.mea.de
www.mea-group.com