

MATERIAL CHARACTERISTICS

POLYMER CONCRETE	on a Polyester resin basis, with mineral fillers, additives
COMPRESSIVE STRENGTH	≥ 90 N/mm ²
BENDING STRENGTH	≥ 22 N/mm ²
ELASTICITY MODULE	25,000 – 35,000 N/mm ²
DENSITY	2,1 – 2,3 kg/dm ³
COEFFICIENT OF LINEAR EXPANSION	Approx. 1.45 x 10 ⁻⁵ 1/K
HEAT RESISTANCE	100°C continuous load, up to 200°C with a load duration up to 5 min.
FROST RESISTANCE	- 50 °C
WATER ABSORPTION	< 0.05%

PURPOSE OF USE

Component for the line drainage of surfaces in order to collect, transport and discharge rain water from adjacent fixed surfaces.

DESIGN

- / Length 500 and 1000 mm
- / Length 1000 mm / A including formed-in drain socket
- / Constructive height 150, 175, 200, 225, 250 and 305 mm
- / Flat channel with constructive height 80 mm
- / Sloped channels up to 10 metres, constructive height 150 - 200 mm
- / Transition piece for installation with stepped fall

EDGE PROTECTION

- / strip galvanized steel, stainless steel V2A
- / Edge thickness 4mm

ACCESSORIES

- / Inlet box short (450 mm)
- / Inlet box for pipe connection Ø 110mm
- / Inlet box for pipe connection Ø 160mm
- / Inlet box with odour trap crosswise to the flow direction Ø 110mm
- / Inlet box with odour trap crosswise to the flow direction Ø 160mm
- / End cap closed for flat channel
- / End cap closed, height adjustable for all constructive heights 150 – 250mm
- / End cap closed, fixed for constructive height 305 mm
- / End caps with connection piece Ø 110mm, height adjustable for constructive heights 150 – 175mm, 175 – 225mm and 225 - 305 mm
- / Drainage set with vertical drain socket Ø 110mm, dirt trap and odour trap

* As of class D 400, not suitable for diagonal or lateral cross-travel in the area of express roads and motorways

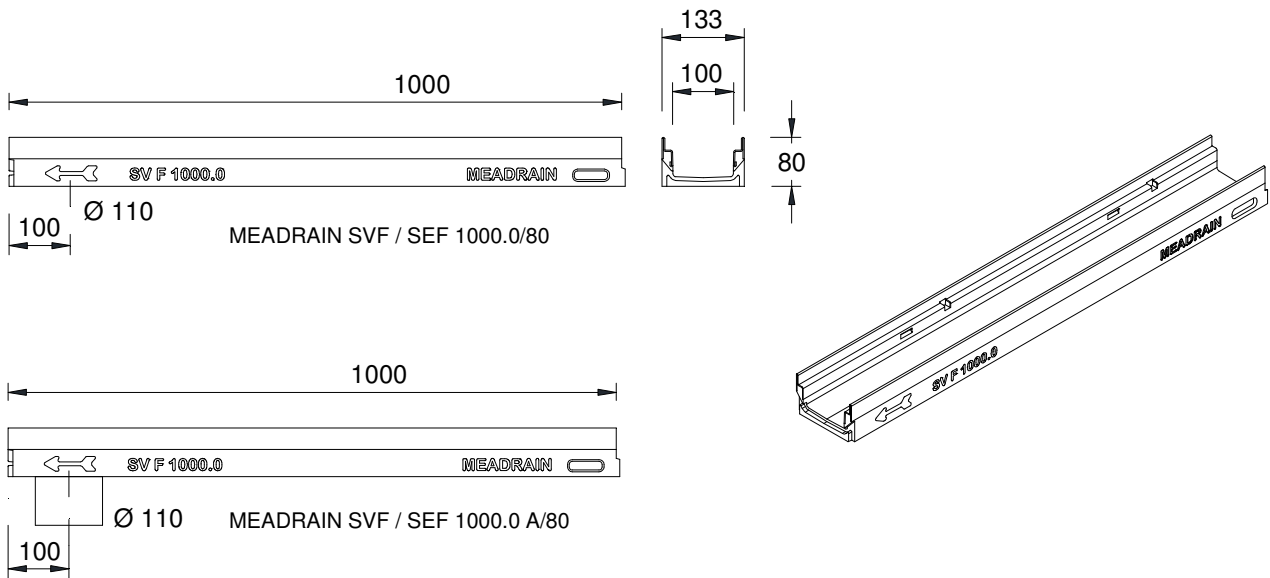
MEADRAIN SV / SE and SVF / SEF 1000

A 15, B 125, C 250, D 400*, E 600*

nominal width 100

FLAT CHANNEL MEADRAIN SVF AND SEF 1000 MADE OF POLYMER CONCRETE WITH A 4 MM EDGE PROTECTION MADE OF GALVANISED STEEL AND STAINLESS STEEL, WITH A SEALING JOINT ACCORDING TO EN 1433

Drainage channels made of polymer concrete. Clear width 100mm, constructive width 133mm. For the realization of water level slopes. Loading class A 15 to E 600* according to EN 1433. Suitable for all drainage channel covers Top 1000 CLIPFIX with quick-release fastener, with/without a longitudinal slide protection. Load capacity according to specification, when installed according to the MEA installation information.



FLAT CHANNEL BODY MEADRAIN SVF UND SEF 1000, LOADING CLASS A 15 TO E 600*

Designation channels with galvanized steel edge	Order No. galvanized 010...	Designation channels with stainless steel edge	Order No. Stainless steel 010...	Length in mm	Constructive height in mm	kg per piece
MEADRAIN SVF 1000.0/80 ¹⁾	154631	MEADRAIN SEF 1000.0/80 ¹⁾	713484	1000	80	9.80
MEADRAIN SVF 1000.0 A/80 ²⁾	154635	MEADRAIN SEF 1000.0 A/80 ²⁾	713488	1000	80	9.70
MEADRAIN SVF 1000.1/80 ¹⁾	154633	MEADRAIN SEF 1000.1/80 ¹⁾	713486	500	80	4.90

* As of class D 400, not suitable for diagonal or lateral cross-travel in the area of express roads and motorways

- 1) Connection option for vertical drain Ø 110mm (drainage deformation) or to a Inlet box
- 2) Channel elements with tight formed-in drain socket Ø 110mm made of HD-PE

MEADRAIN SV / SE and SVF / SEF 1000

A 15, B 125, C 250, D 400*, E 600*

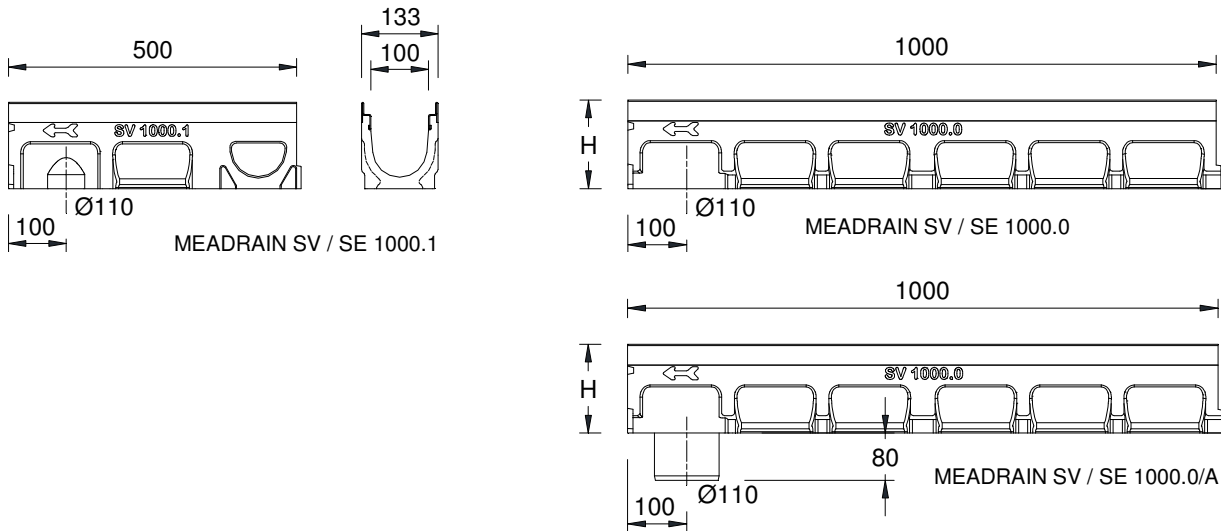
nominal width 100



BUILDING SUCCESS

DRAINAGE CHANNEL MEADRAIN SV AND SE 1000 MADE OF POLYMER CONCRETE WITH A 4 MM EDGE PROTECTION MADE OF GALVANISED STEEL AND STAINLESS STEEL, WITH A SEALING JOINT ACCORDING TO EN 1433

Drainage channels made of polymer concrete. Clear width 100mm, constructive width 133mm. For the realization of water levels or stepped falls. Loading class A 15 to E 600* according to EN 1433. Suitable for all drainage channel covers Top 1000 CLIPFIX with quick-release fastener, with/without a longitudinal slide protection. Load capacity according to specification, when installed according to the MEA installation information.



DRAINAGE CHANNEL BODY MEADRAIN SV UND SE 1000 WITHOUT SLOPE, LOADING CLASS A 15 TO E 600*

Designation channels with galvanized steel edge	Order No. galvanized 010...	Designation channels with stainless steel edge	Order No. Stainless steel 010...	Length in mm	Constructive height in mm	kg per piece
MEADRAIN SV 1000.0 ¹⁾	712600	MEADRAIN SE 1000.0 ¹⁾	713492	1000	150	14.50
MEADRAIN SV 1000.0/A ²⁾	712602	MEADRAIN SE 1000.0/A ²⁾	713494	1000	150	14.50
MEADRAIN SV 1000.1 ¹⁾³⁾	712604	MEADRAIN SE 1000.1 ¹⁾³⁾	713496	500	150	7.50
MEADRAIN SV 1005.0 ¹⁾	712618	MEADRAIN SE 1005.0 ¹⁾	713510	1000	175	16.00
MEADRAIN SV 1005.0/A ²⁾	712620	MEADRAIN SE 1005.0/A ²⁾	713512	1000	175	16.00
MEADRAIN SV 1005.1 ¹⁾³⁾	712622	MEADRAIN SE 1005.1 ¹⁾³⁾	713514	500	175	8.50
MEADRAIN SV 1010.0 ¹⁾	712636	MEADRAIN SE 1010.0 ¹⁾	713528	1000	200	17.50
MEADRAIN SV 1010.0/A ²⁾	712638	MEADRAIN SE 1010.0/A ²⁾	713530	1000	200	17.50
MEADRAIN SV 1010.1 ¹⁾³⁾	712640	MEADRAIN SE 1010.1 ¹⁾³⁾	713532	500	200	9.00
MEADRAIN SV 1015.0 ¹⁾	712642	MEADRAIN SE 1015.0 ¹⁾	713534	1000	225	19.00
MEADRAIN SV 1015.0/A ²⁾	712644	MEADRAIN SE 1015.0/A ²⁾	713536	1000	225	19.00
MEADRAIN SV 1015.1 ¹⁾³⁾	712646	MEADRAIN SE 1015.1 ¹⁾³⁾	713538	500	225	9.50
MEADRAIN SV 1020.0 ¹⁾	712648	MEADRAIN SE 1020.0 ¹⁾	713540	1000	250	20.50
MEADRAIN SV 1020.0/A ²⁾	712650	MEADRAIN SE 1020.0/A ²⁾	713542	1000	250	20.50
MEADRAIN SV 1020.1 ¹⁾³⁾	712652	MEADRAIN SE 1020.1 ¹⁾³⁾	713544	500	250	10.40
MEADRAIN SV 1030.0 ¹⁾	712654	MEADRAIN SE 1030.0 ¹⁾	713546	1000	305	24.50
MEADRAIN SV 1030.0/A ²⁾	712656	MEADRAIN SE 1030.0/A ²⁾	713548	1000	305	24.50

* As of class D 400, not suitable for diagonal or lateral cross-travel in the area of express roads and motorways

- 1) Connection option for vertical drain Ø 110mm (drainage deformation) or to a Inlet box
- 2) Channel elements with tight formed-in drain socket Ø 110mm made of HD-PE
- 3) Connection options for corner, T and cross connections, and a connection option for a vertical drain Ø 110mm

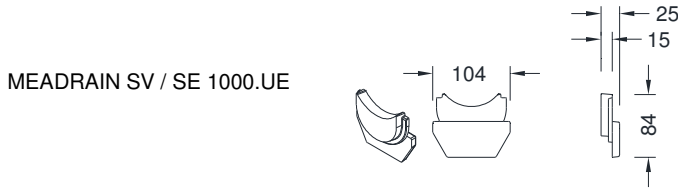
MEADRAIN SV / SE and SVF / SEF 1000

A 15, B 125, C 250, D 400*, E 600*

nominal width 100



BUILDING SUCCESS

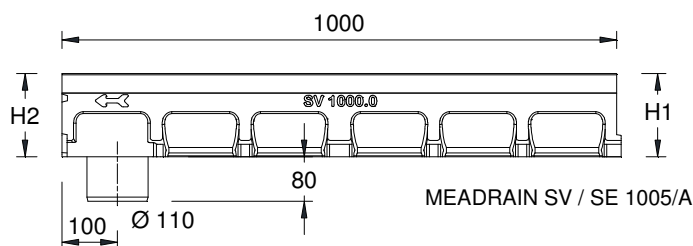
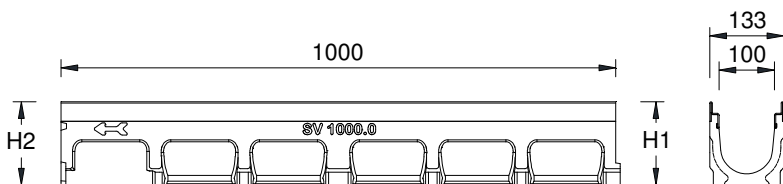


TRANSITION PIECE FOR BRIDGING HEIGHT DIFFERENCES IN STEP GRADIENTS WITH A STEPPED FALL

Description	Order No. 010....	Material	kg per piece
MEADRAIN SV and SE 1000.UE Transition piece suitable for Transition from 0.0 to 10.0 channel Transition from 10.0 to 20.0 channel Transition from 20.0 to 30.0 channel	712680	Polymere concrete	0.13

DRAINAGE CHANNEL MEADRAIN SV AND SE 1000 MADE OF POLYMER CONCRETE WITH A 4 MM EDGE PROTECTION MADE OF GALVANISED STEEL AND STAINLESS STEEL, WITH A SEALING JOINT ACCORDING TO EN 1433

Drainage channels made of polymer concrete. Clear width 100mm, constructive width 133mm. For the realization of a linear slope (bottom slope 0.5%). Loading class A 15 to E 600* according to EN 1433. Suitable for all drainage channel covers Top 1000 CLIPFIX with quick-release fastener, with/without a longitudinal slide protection. Load capacity according to specification, when installed according to the MEA installation information.



MEADRAIN SV / SE 1001

MEADRAIN SV / SE 1005/A

MEADRAIN SV / SE and SVF / SEF 1000

A 15, B 125, C 250, D 400*, E 600*

nominal width 100



BUILDING SUCCESS

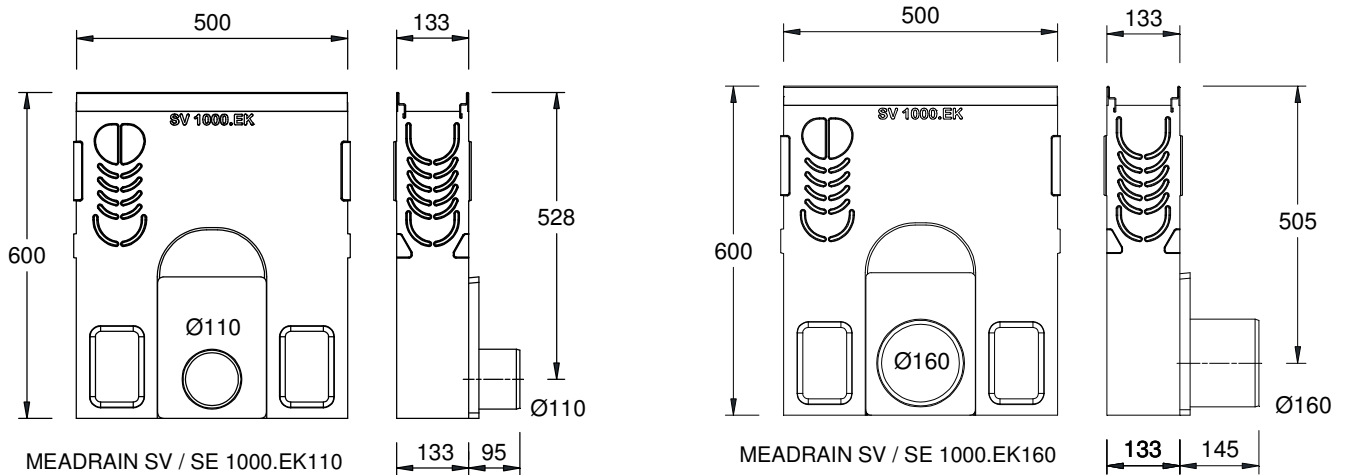
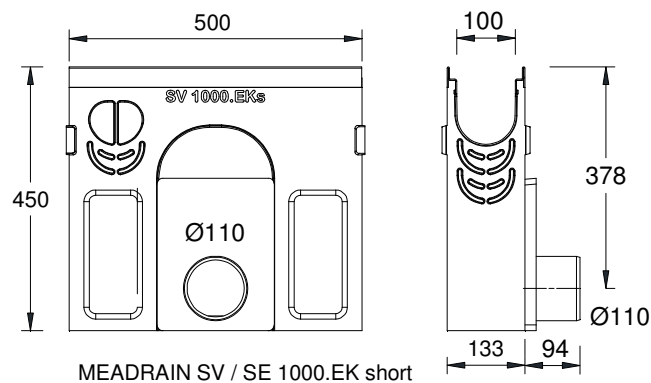
DRAINAGE CHANNEL BODY MEADRAIN SV AND SE 1000 WITH 0.5 % SLOPE, LOADING CLASSES A 15 TO E 600*

Designation channels with galvanised steel edge	Order No. galvanized 010...	Designation channels with Stainless steel edge	Order No. Stainless steel 010...	Length in mm	Constructive height H1 and H2 in mm	kg per piece
MEADRAIN SV 1001	712606	MEADRAIN SE 1001	713498	1000	150-155	14.50
MEADRAIN SV 1002	712608	MEADRAIN SE 1002	713500	1000	155-160	14.50
MEADRAIN SV 1003	712610	MEADRAIN SE 1003	713502	1000	160-165	15.00
MEADRAIN SV 1004	712612	MEADRAIN SE 1004	713504	1000	165-170	15.00
MEADRAIN SV 1005 ¹⁾	712614	MEADRAIN SE 1005 ¹⁾	713506	1000	170-175	15.50
MEADRAIN SV 1005/A ²⁾	712616	MEADRAIN SE 1005/A ²⁾	713508	1000	170-175	15.50
MEADRAIN SV 1006	712624	MEADRAIN SE 1006	713516	1000	175-180	16.00
MEADRAIN SV 1007	712626	MEADRAIN SE 1007	713518	1000	180-185	16.50
MEADRAIN SV 1008	712628	MEADRAIN SE 1008	713520	1000	185-190	16.50
MEADRAIN SV 1009	712630	MEADRAIN SE 1009	713522	1000	190-195	17.00
MEADRAIN SV 1010 ¹⁾	712632	MEADRAIN SE 1010 ¹⁾	713524	1000	195-200	17.00
MEADRAIN SV 1010/A ²⁾	712634	MEADRAIN SE 1010/A ²⁾	713526	1000	195-200	17.00

* As of class D 400, not suitable for diagonal or lateral cross-travel in the area of express roads and motorways

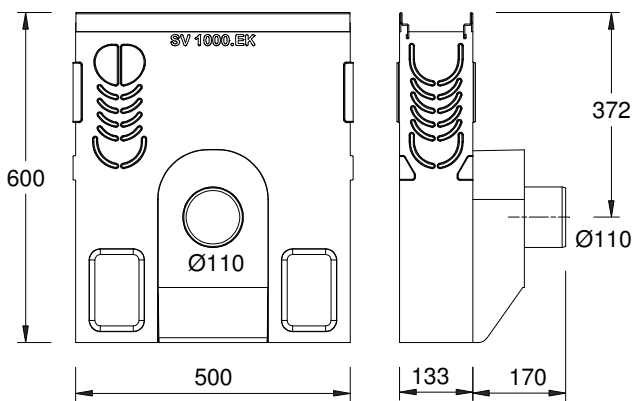
1) Connection option for vertical drain Ø 110mm (drainage deformation) or to an inlet box

2) With tight formed-in drain socket Ø 110mm made of HD-PE

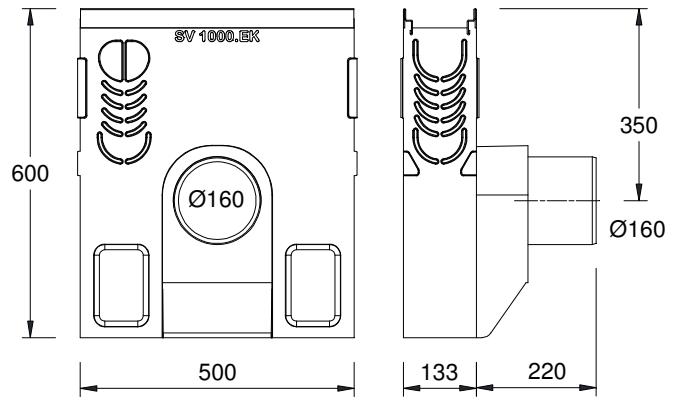


INLET BOX MADE OF POLYMER CONCRETE

Designation inlet boxes with galvanised steel edge	Order No. galvanized 010...	Designation inlet boxes with galvanised steel edge	Order No. Stainless steel 010...	Length in mm	Constructive height in mm	kg per piece
MEADRAIN SV 1000.EK short Inlet box short 450 mm	712657	MEADRAIN SE 1000.EK short Inlet box short 450 mm	713550	500	450	23.10
MEADRAIN SV 1000.EK110 Inlet box for pipe connection Ø 110mm	712658	MEADRAIN SE 1000.EK110 Inlet box for pipe connection Ø 110mm	713552	500	600	35.00
MEADRAIN SV 1000.EK160 Inlet box for pipe connection Ø 160mm	712660	MEADRAIN SE 1000.EK160 Inlet box for pipe connection Ø 160mm	713554	500	600	35.00



MEADRAIN SV / SE 1000.EK QG 110



MEADRAIN SV / SE 1000.EK QG 160

INLET BOX MADE OF POLYMER CONCRETE

Designation inlet boxes with galvanised steel edge	Order No. galvanized 010...	Designation inlet boxes with galvanised steel edge	Order No. Stainless steel 010...	Length in mm	Constructive height in mm	kg per piece
MEADRAIN SV 1000.EK QG110 Inlet box with odour trap crosswise to flow direction Ø 110mm	712662	MEADRAIN SE 1000.EK QG110 Inlet box with odour trap crosswise to flow direction Ø 110mm	713556	500	600	36.50
MEADRAIN SV 1000.EK QG160 Inlet box with odour trap crosswise to flow direction Ø 160mm	712664	MEADRAIN SE 1000.EK QG160 Inlet box with odour trap crosswise to flow direction Ø 160mm	713558	500	600	37.00

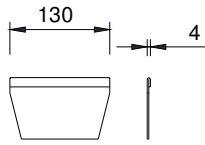
MEADRAIN SV / SE and SVF / SEF 1000

A 15, B 125, C 250, D 400*, E 600*

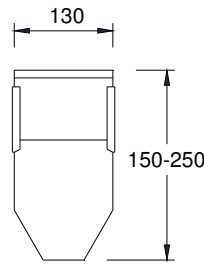
nominal width 100



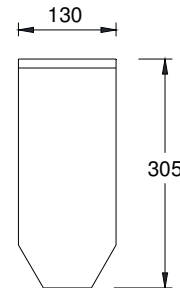
BUILDING SUCCESS



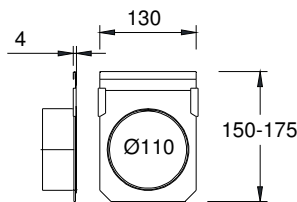
MEADRAIN SVF / SEF 1000.SE



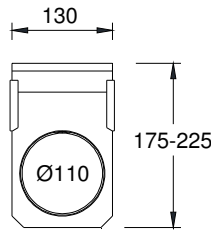
MEADRAIN SV / SE 1000-20.SE



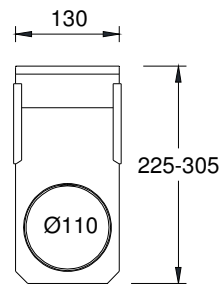
MEADRAIN SV / SE 1030.SE



MEADRAIN SV / SE 1000-5.E



MEADRAIN SV / SE 1005-15.E



MEADRAIN SV / SE 1015-30.E

END CAPS AND CONNECTION ACCESSORIES FOR MEADRAIN SV / SE AND SVF / SEF 1000

Designation galvanised steel and plastic accessories	Order No. galvanised / PP 010...	Designation stainless steel accessories	Order No. Stainless steel 010...	kg per piece
MEADRAIN SVF 1000.SE End cap closed for flat channel for beginning and end of channel	154637	MEADRAIN SEF 1000.SE End cap closed for flat channel for beginning and end of channel	713490	0.09
MEADRAIN SV 1000-20.SE End cap closed height-adjustable for beginning and end of channel	712666	MEADRAIN SE 1000-20.SE End cap closed height adjustable for channel beginning and end	713560	0.40
MEADRAIN SV 1030.SE End cap closed fixed height, for channel start and end	712668	MEADRAIN SE 1030.SE End cap closed fixed height, for channel start and end	713562	0.50
MEADRAIN SV 1000-5.SE End cap with connection piece Ø 110mm height adjustable for channel end	712670	MEADRAIN SE 1000-5.SE End cap with connection piece Ø 110mm height adjustable for channel end	713564	0.30
MEADRAIN SV 1005-15.SE End cap with connection piece Ø 110mm height adjustable for channel end	712676	MEADRAIN SE 1005-15.SE End cap with connection piece Ø 110mm height adjustable for channel end	713566	0.40
MEADRAIN SV 1015-30.SE End cap with connection piece Ø 110mm height adjustable for channel end	712678			0.50
Drainage set consisting of plastic (PP) with connection piece Ø 110mm, dirt trap and odour trap	150730			0.20

This edition of the technical data sheet shall be valid from February 2018 until a revised version is published, and replaces any previous publications. The respectively current version is available for download at www.mea-group.com.

MEA Bautechnik GmbH
 Business Unit MEA Water Management
 Sudetenstraße 1
 86551 Aichach
 Tel.: +49 (0) 82 51. 91 0
 Fax: +49 (0) 82 51. 91 13 06
 E-Mail: info@mea-group.com
www.mea-group.com